

TyrFil[®]

Weight Estimation Guide

**IT'S WHAT'S INSIDE
THAT COUNTS**

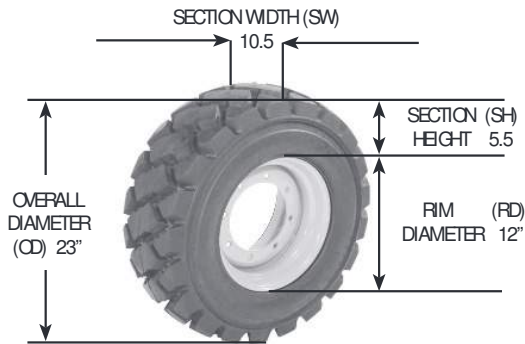


TyrFil Weight Estimation Guide

INTRODUCTION:

This latest version of Accella Tire Fill System's Weight Estimation Guide has been produced as an aid for our flatproofing customers. Therefore, if you do not see the tire size for which you are looking, we invite you to use our complimentary TyrFil Weight Estimator on our website, www.accelatirefill.com. We believe you will find that this is the most comprehensive and useful weight chart yet produced, but there are thousands of tire sizes.

Please remember that the data on these pages are estimates. Depending on the tire manufacturer, the amount of TyrFil needed can vary by 15 percent (+/-). These estimates were calculated using a mathematical formula based on outside dimensions of the tire and include the depth of both the tread and the sidewalls. Please reference the diagram below:



* Industrial wheels and rims are not all the same. When calculating a tire size for polyurethane flat proofing material, drop center wheels require additional material over standard wheels.

POUNDS

FORMULA: $2.47 \times SH \times SW \times (SH + RD) = \text{lbs} \pm 15\%$

TIRE SIZE: 23 x 10.5 x 12

EXAMPLE: $2.47 \times 5.5 \times 10.5 \times 17.5 \times .036 = 90 \text{ lbs} \pm 15\%$

KILOGRAMS

FORMULA: $[2.47 \times SH \times SW \times (SH + RD)] / 2.2 = \text{kgs} \pm 15\%$

TIRE SIZE: 23 x 10.5 x 12

EXAMPLE: $[2.47 \times 5.5 \times 10.5 \times 17.5 \times .036] / 2.2 = 41 \text{ kgs} \pm 15\%$

While using the charts in this guide are simple (just find the tire size designation for the tire you want to flatproof in the column labeled "Tire Size", and look across to find the weight in the shaded column labeled "Lbs"), reading the following sections will help you to more fully utilize the information in this chart.

WHAT'S NEW:

- Addendum:
The addendum includes newer and/or uncommon tire sizes for your reference.
- Section III:
This section contains all tires which lack a rim diameter as part of their designation. This only applies to type VII aircraft tires and some bicycle tires. As section II is organized by rim diameter, it will now be much easier to locate those tires without a rim diameter in their designation in Section III.

ASSUMPTIONS:

The weights shown in the following charts assume the following:

1. The tires are being filled with PePneu. The use of other brands may require different weights.
2. The tires are mounted on standard width rims. (Use of over or under sized rims will require more or less material respectively.)
3. The tires are pressurized to 100 percent of the maximum recommended pressure for each tire. (Use of more or less pressure may cause a significant variation in the amount of material required.)
4. The diameters and section widths of the tires to be flatproofed are in conformity with those specified by The Tire and Rim Association. (Tires which do not conform to those standards may require significantly more or less material to flatproof.)
5. The tires being flatproofed are new tires which have been pressurized with air to their maximum rated inflation pressures for 24 hours prior to being filled to allow the carcass to "grow". (Used tires will require more material to flatproof.)

THE CHART COLUMN HEADINGS:

The eight column headings of the chart are labeled: Tire, Rim Dia, Rim Width, Lbs, Kgs, Class, Status, and Use. The arrangement of the columns is shown in the example below and is followed by an explanation of each one's significance.

CHART COLUMN EXAMPLE

1		2		3		4		5		6		7		8	
Tire		Dia		Rim Width		Lbs		Kgs		Class		Status		Use	
2.80	-4	NHS	4	2.25	4	2				IND				SF&R	
2.80/2.50	-4	NHS	4	2.25	4	2				IND				SF&R	
4.10	-4	NHS	4	3.25	7	3				IND				SF&R	
4.10/3.50	-4	NHS	4	3.25	7	3				IND				SF&R	
4.80	-4	NHS	4	3.75	11	5				IND				SF&R	

CHART COLUMN 1: Tire

One of the first things you may notice is that there seems to be a lot of unnecessary spaces in the tire designations used in this chart. The actual designations used on the tires do not contain most of the spaces shown. The reason for these extra spaces is to align identical attributes for each tire vertically so that their precise meanings can be more easily understood. The column labeled "Tire" is actually made up of nine sub-columns which are illustrated below in the enlarged 15 line example. The nine paragraphs following the example will explain the significance of each sub-column.

TIRE NOMENCLATURE EXAMPLES

	1	2	3	4	5	6	7	8	9
	Prefix	Tire Diameter	X	Tire Width	/FL	Aspect Ratio	Fly Type	Rim Diameter	Suffix
Ex. 1				2.80/2.50			-	4	NHS
Ex. 2				5			-	8	
Ex. 3	AT	20	X	7			-	8	
Ex. 4				10.00			-	11	
Ex. 5	P			145	/	80	-	12	
Ex. 6		16	X	2.125			-		
Ex. 7				B	R	78	-	13	
Ex. 8				B		78	-	13	
Ex. 9		24	X	7.50			R	13	LT
Ex. 10				11	L		-	14	SL
Ex. 11				250			-	15	NHS
Ex. 12	M			T		90	-	16	
Ex. 13		36	X	11					
Ex. 14	CT			205	/	45	R	450	
Ex. 15		700	X	28					C

Example Column 1: Prefix

Prefix letters are used to distinguish among tires with similar designations which are used in different service conditions. (See examples 3, 5, 12, & 14 above.) Prefix letters are used by all passenger and motorcycle tires. They are also used by some aircraft, truck & bus, and industrial tires. They are not used with agricultural, OTR, or bicycle tires. (See LISTS OF ABBREVIATIONS, pages 4-6)

Example Column 2: Tire Diameter

The nominal tire diameter in inches. (See examples 3, 6, 9, & 13 above.) The single exception is the tire shown in example 15 above, with its nominal diameter in millimeters. Tire diameter is part of the designation of all bicycle tires and many aircraft and industrial tires. It is also part of the designation of some agricultural, and some truck and bus tires. Tire diameter is not specified in the designations of passenger, OTR, or motorcycle tires.

Example Column 3: X

Used between Tire Diameter, if it is shown, and Tire Width. Pronounced as "by". Example 13 above shows an aircraft tire nominally 36 inches in diameter "by" eleven inches wide.

Example Column 4: Tire Width

The nominal width of the tire in inches or millimeters, or a letter designation. All tires have a width designation. Some industrial tires designate a width range. (See example 1 above.) Where a letter is used to designate width, (See examples 7, 8, & 12 above.) the higher the letter, the wider the tire within a given class of tire. To minimize confusion with widths shown in inches, letter widths and widths shown in millimeters have been offset to the right, appearing in what would be the decimal portion of a width shown in inches. (See examples 4 & 5 above.)

Example Column 5: /RL

This column may contain one of three unrelated designations, or will be blank. First, for metric sizes which include an aspect ratio, there will be a "/" which acts as a separator between the width and the aspect ratio. (See examples 5 & 14 above.) Second, for tires with a letter width designation, there will be an "R" if they are radial ply, or nothing if they are not. (See example 7 above.) Third, for some agriculture tires, and a few obsolete industrial sizes, there will be an "L" to indicate that the tire is "low-profile". (See example 10 above.)

Example Column 6: Aspect Ratio

The nominal ratio of a tire's section height to its section width. It is used for many passenger tires, truck & bus tires, and some OTR and motorcycle tires. The lower the aspect ratio, the lower the "profile" of the tire. (See examples 5, 7, 8, 12, & 14 above.)

Example Column 7: Ply Type

This column will contain a "-" to indicate a tire of diagonal or bias ply construction, an "R" to indicate a tire of radial ply construction, or nothing if the tire designation does not contain a rim diameter. (See all examples above.) Some tires shown with a "-" may have a "B" or "D" in their actual designation. The only tires without either a "-" or an "R" in this column are bicycle tires and some aircraft tires.

Example Column 8: Rim Diameter

The nominal rim diameter in inches, except for a very small number of tires for which the rim diameter is in millimeters. (See example 14 above.) As previously explained under "Tire Width", dimensions given in millimeters are shown offset to the right to minimize confusing them with inches.

Example Column 9: Suffix

Suffix letters are used to distinguish among tires with similar designations which are used in different service conditions. Suffix letters are used by many agriculture, industrial, OTR, and truck & bus tires. They are also used by a few motorcycle and bicycle tires. They are not used for any aircraft, or passenger tires. (See LISTS OF ABBREVIATIONS, pages 4-6)

CHART COLUMN 2: Rim Diameter

A separate column of rim diameter is included in this chart because bicycle tires, and some aircraft tires, do not include a rim diameter in their designations. (See examples 6 & 13 above.) Most competitive literature incorrectly lists the 36x11 aircraft tire, for example, as though it were on an 11 inch diameter rim instead of the 16 inch rim that is actually used.

CHART COLUMN 3: Rim Width

The rim width that was used in calculating the weight for each tire is shown in this column in inches. Wherever possible, (ie. for all but about 70 of the tires listed in this chart) the design rim width has been used. Where it has not been possible to use the design rim width, the closest width to it has been used. If you are retrofitting a tire which is mounted on an over or under-sized rim, the weight may vary significantly from the weight shown in this chart. If more accuracy is needed, contact your nearest Accella Tire Fill Systems representative. He or she has more detailed information about weights for tires mounted on over or under-sized rims.

CHART COLUMN 4: Lbs

The weights shown in this column have been calculated for a tire of the lowest commonly available ply rating for that size, mounted on a rim with the width listed in the "Rim Width" column. Tires mounted on wider or narrower rims may require more or less material respectively. (See "Rim Width" above.) Where more than one rim contour is acceptable for use with a particular tire, the contour requiring the highest weight has been used. All weights are shown to the nearest pound except for bicycle tires, which are shown to the nearest tenth of a pound. No account has been taken of differences which exist among tires produced by different manufacturers.

CHART COLUMN 5: Kgs

This column shows the weight in kilograms required to fill the tires listed in this chart.

CHART COLUMN 6: Class

The tires listed in this chart have each been sorted into one of seven classes: Agriculture (AGR), Aircraft (AIR), Cycle (CYC), Industrial (IND), Off-The-Road (OTR), Passenger (PAS), and Truck & Bus (T&B).

CHART COLUMN 7: Status

Tires which are not currently recommended for new equipment design, are shown as "NR". These tires are in the process of being replaced with newer designs. Tires or designations which have been obsolete are shown as "CB". These tires may still be in limited production and so they are included in this chart.

CHART COLUMN 8: Use

This column contains one or more abbreviations for most of the tires shown which can be used as an indication of the general use for that tire. This is only meant to be a rough guide to each tire's intended use, and is by no means comprehensive or complete. (See Abbreviation combinations found in the "Use" column, pages 5-6.)

LISTS OF ABBREVIATIONS:

Abbreviations Used in Tire Prefixes:

AT	All Terrain Tire
B	Aircraft Tire Rim Width to Section Width Ratio Designation
C	Aircraft Tire Rim Width to Section Width Ratio Designation
CT	Inverted Flange Tire
E	Energy Efficient Tire
H	Aircraft Tire Rim Width to Section Width Ratio Designation
LT	Light Truck Tire
M	Motorcycle Tire
P	Passenger Car Tire
S	Flotation Service Tire
T	Temporary Service (Spare) Tire

Abbreviations Used in Tire Suffixes:

DT	OTR Tire for Desert Terrain (Sand)
FI	Farm Implement Tires
HC	Truck & Bus Tire for use with HC contour rims
K	Compactor Tire
LT	Light Truck Tire
MH	Mobile Home Tire
ML	Mining & Logging Tire
M/C	15" Diameter Motorcycle Tire for use with speci c rims
NHS	Not for Highway Service Tire
SL	Service Limited to Agriculture Tire
SS	Skid Steer Tire
ST	Special Trailer Tire
TG	Tractor / Grader Tire
TR	Truck & Bus Tire for use with speci c rims
VA	Agriculture Tire for use with VA contour rims

Other abbreviations used in this chart:

AGR	Agriculture Tires	LSH	Low Section Height
AIR	Aircraft Tires	L&G	Lawn & Garden
ATT	Aircraft Tow Tractor	Max	Maximum
ATV	All Terrain Vehicle	MC	Motorcycle
A&I	Agricultural & Industrial	MH	Mobile Home
BC	Bicycle	Min	Minimum
CLT	Counterbalanced Lift Truck	mph	Miles per hour
Cn	Conventional	MS	Multi-Speed
CV	Compactor Vehicle	M&L	Mining & Logging
CYC	Cycle Tires	OSF&R	Other than Smooth Floor & Runway
Dia	Diameter	OTR	Off-The-Road Tires
DT	Desert (sand) Tire	PAS	Passenger Car Tires
EE	Energy Efficient	RF	Run Flat
FS	Field Service	RS	Restricted Speed
Hel	Helicopter	SF&R	Smooth Floor & Runway
HgS	Haulage Service	SM	Special Military
HF	High Flotation	Sp	Spare Tire
HL	High Load	SS	Skid Steer
HM	High Mobility	SV	Special Vehicle
HS	Highway Service	Tlr	Trailer
IHS	Intermittent Highway Service	TrD	Tractor Drive
III	Type III Aircraft	TrS	Tractor Steer
Imp	Implement	TS	Transport Service
IND	Industrial Tires	T&B	Truck & Bus Tires
Lbs	Pounds	T&G	Tractor & Grader
LBSR	Low Bearing Strength Runways	UV	Utility Vehicle
LBT	Low Bed Truck	VI	Type VI Aircraft
LPT	Low Platform Trailer	VTV	Variable Terrain Vehicle
LSD	Log Skidder Drive	WB	Wide Base

Abbreviation combinations found in the "Use" column:

65-05	65 aspect ratio – 5 mph max
65F05	65 aspect ratio Radial 5 mph max
65RMS-HM	65 aspect ratio Radial Multi-Speed – High Mobility
70-05	70 aspect ratio – 5 mph max
ATT05	Aircraft Tow Tractor – 5 mph max

A&I-HF	Agricultural & Industrial – High Flotation
CLT05	Counterbalanced Lift Truck – 5 mph max
Cn-05	Conventional – 5 mph max
Cn-25-T&G	Conventional – 25 mph max – Tractor & Grader Service
Cn-30-HgS	Conventional – 30 mph max – Haulage Service
Cn-MS-DT	Conventional – Multi-Speed – Desert (sand) Tire
CnR05	Conventional Radial
CnR25-T&G	Conventional Radial 25 mph max – Tractor & Grader Service
CnR30-HgS	Conventional Radial 30 mph max – Haulage Service
CnRMS	Conventional Radial – Multi-Speed
CV-05	Compactor Vehicle – 5 mph max
HS-EE	Highway Service – Energy Efficient
HS-HF	Highway Service – High Flotation
HS-HL	Highway Service – High Load
HS-LBT	Highway Service – Low Bed Truck
HS-LPT	Highway Service – Low Platform Trailer
HS-FF	Highway Service – Run Flat
HS-FS	Highway Service – Restricted Speed
HS-Sp	Highway Service – Spare
HS-Ttr	Highway Service – Trailer
HS-VTV	Highway Service – Variable Terrain Vehicle
HS-WBR	Highway Service – Wide Base Radial
Imp-LSH	Implement – Low Section Height
M&L – IHS	Mining & Logging – Intermittent Highway Service
Oftr-HF	Off-The-Road – High Flotation
SS/M&L	Skid Steer / Mining & Logging
TrD/LSD	Tractor Drive / Log Skidder Drive
UV/L&G	Utility Vehicle / Lawn & Garden
WB-05	Wide Base – 5 mph max
WB-30-HgS	Wide Base – 30 mph max – Haulage Service
WB-MS-DT	Wide Base – Multi-Speed – Desert (sand) Tire
WB-MS-HgS	Wide Base – Multi-Speed – Haulage Service
WBR05	Wide Base Radial 5 mph max
WBR30-HgS	Wide Base Radial 30 mph max – Haulage Service

NOTE

While care has been taken to ensure the accuracy of the weights in the following chart, Accella Tire Fill Systems is not responsible for any loss or damage that may result from its use. No allowance has been made for the weight variations which will occur among different tire brands for a given tire size and rating.

TyrFI - Standard Flatproofing Weight Chart

(Listed by increasing Rim Diameter then by increasing Tire Width)

Tire			Rim		Weight of Fill		Class	Status	Use
			Diameter	Width	Lbs	Kgs			
2.80	- 4	NHS	4	2.25	4	2	IND	SF&R	
2.80/2.50	- 4	NHS	4	2.25	4	2	IND	SF&R	
4.10	- 4	NHS	4	3.25	7	3	IND	SF&R	
4.10/3.50	- 4	NHS	4	3.25	7	3	IND	SF&R	
4.80	- 4	NHS	4	3.75	11	5	IND	SF&R	
5.00	- 4		4	3.5	15	7	AIR	Hel	
8.00	- 4		4	5.5	44	20	AIR	III	
3.40	- 5	NHS	5	2.75	6	3	IND	SF&R	
3.40/3.00	- 5	NHS	5	2.75	6	3	IND	SF&R	
11 x 4.00	- 5	NHS	5	3	7	3	IND	U/L&G	
4.10	- 5	NHS	5	3.25	8	4	IND	SF&R	
4.10/3.50	- 5	NHS	5	3.25	8	4	IND	SF&R	
5.00	- 5		5	3.5	17	8	AIR	Hel	
4.10	- 6	NHS	6	3.25	10	5	IND	SF&R	
4.10/3.50	- 6	NHS	6	3.25	10	5	IND	SF&R	
13 x 5.00	- 6	NHS	6	3.5	11	5	IND	U/L&G	
5.30	- 6	NHS	6	4.25	17	8	IND	SF&R	
5.30/4.50	- 6	NHS	6	4.25	17	8	IND	SF&R	
14.5 x 5.5	- 6		6	4.25	19	9	AIR	Hel	
15 x 6.0	- 6		6	5	24	11	AIR	Hel	
6.00	- 6		6	5	33	15	AIR	Hel	
15 x 6.00	- 6	NHS	6	4.5	23	10	IND	U/L&G	
17.5 x 6.25	- 6		6	5	30	14	AIR		
13 x 6.50	- 6	NHS	6	4.5	14	6	IND	U/L&G	
6.90	- 6	NHS	6	5.5	33	15	IND	SF&R	
6.90/6.00	- 6	NHS	6	5.5	33	15	IND	SF&R	
18 x 7 /4.50F		NHS	6	4.5	35	16	IND	OB SF&R	
7.00	- 6		6	5	42	19	AIR	Hel	
13 x 7.70	- 6	NHS	6	5.25	18	8	IND	SF&R	
14 x 8	- 6	NHS	6	6	22	10	IND	SF&R	
8.00	- 6		6	5	48	22	AIR	III	
8.00	- 6	NHS	6	7	38	17	IND	NR U/L&G	
8.50	- 6		6	6	69	31	AIR	III	
9.00	- 6		6	6.75	75	34	AIR	III	

TyrFI - Standard Flatproofing Weight Chart

(Listed by increasing Rim Diameter then by increasing Tire Width)

Tire				Rim		Weight of Fill		Class	Status	Use
				Diameter	Width	Lbs	Kgs			
23.5 x	4.80	- 7	NHS	7	2.5	13	6	IND		UM/L&G
	8.75	- 7		7	6.25	36	16	AIR		
16 x	4.00	- 8		8	2.5	17	8	AGR	CB	L&G
	4.4			8	3.5	15	7	AIR		VI
	4.80	- 8	NHS	8	3.75	20	9	IND		SF&R
	4.80	- 8		8	3.75	20	9	IND		Tlr
	4.80/4.00	- 8	NHS	8	3.75	20	9	IND		SF&R
18 x	4.80/4.00	- 8		8	3.75	20	9	IND	CB	Tlr
	5	- 8		8	4	20	9	AGR		L&G
	5.5			8	4.25	26	12	AIR		VI
	5.50	- 8	NHS	8	4.25	21	10	IND		UM/L&G
	5.70	- 8	NHS	8	4.5	30	14	IND		SF&R
17.5 x	5.70	- 8		8	4.5	30	14	IND		Tlr
	5.70/5.00	- 8	NHS	8	4.5	30	14	IND		SF&R
	5.70/5.00	- 8		8	4.5	30	14	IND		Tlr
	5.75	- 8		8	4.25	27	12	AIR		H&I
	5.75	- 8		8	4.25	26	12	AIR		
16.5 x	6.5	- 8		8	5.375	29	13	IND		Tlr
	6.50	- 8		8	5.25	40	18	AIR		III
	6.50	- 8	NHS	8	5.375	29	13	IND		UM/L&G
	6.75	- 8		8	5.25	41	19	AIR		H&I
	7	- 8	NHS	8	4.33	33	15	IND		SF&R
AT 20 x	7	- 8		8	5.5	43	20	IND		ATV
	7.00	- 8		8	5.5	50	23	AIR		III
	7.50	- 8	NHS	8	5.375	27	12	IND		UM/L&G
	8.0	- 8		8	6	59	27	AIR		
	8.5	- 8		8	7	44	20	IND		Tlr
18 x	8.50	- 8	NHS	8	7	45	20	IND		UM/L&G
	9	- 8	NHS	8	7	48	22	IND		SF&R
	9.5	- 8		8	7	45	20	IND		Tlr
	9.50	- 8	NHS	8	7	53	24	IND		UM/L&G
	10	- 8		8	8	49	22	IND		ATV
AT 20 x	10	- 8		8	8	67	30	IND		ATV
AT 22 x	10	- 8		8	8	77	35	IND		ATV
AT 23 x	10	- 8		8	8	84	38	IND		ATV
AT 18 x	11	- 8		8	9	55	25	IND		ATV
AT 20 x	11	- 8		8	9	69	31	IND		ATV

TyrFI - Standard Flatproofing Weight Chart

(Listed by increasing Rim Diameter then by increasing Tire Width)

Tire				Rim		Weight of Fill		Class	Status	Use
				Diameter	Width	Lbs	Kgs			
AT	21	x	11	- 8	8	9	77	35	IND	ATV
AT	22	x	11	- 8	8	9	85	39	IND	ATV
	21	x	11.00	- 8	8	8.5	74	34	IND	LPF
	22	x	11.00	- 8	8	8.5	82	37	IND	LPF
AT	21	x	12	- 8	8	9.5	83	38	IND	ATV
AT	22	x	12	- 8	8	9.5	75	34	IND	ATV
	4.00	- 9	SL	9	3	19	9	AGR		Imp
	4.80	- 9	NHS	9	3.75	21	10	IND		SF&R
	4.80/4.00	- 9	NHS	9	3.75	21	10	IND		SF&R
	6.90	- 9	NHS	9	5.5	46	21	IND		SF&R
	6.90	- 9		9	5.5	46	21	IND		Tlr
	6.90/6.00	- 9		9	5.5	46	21	IND		
	6.90/6.00	- 9	NHS	9	5.5	46	21	IND		
AT	20	x	7	- 9	9	5.5	41	19	IND	ATV
AT	22	x	7	- 9	9	5.5	51	23	IND	ATV
AT	21	x	8	- 9	9	6.5	53	24	IND	ATV
	21	x	8	- 9	9	6	50	23	IND	SF&R
	21	x	9	- 9	9	7	61	28	IND	SF&R
AT	18	x	11	- 9	9	9	52	24	IND	ATV
AT	20	x	11	- 9	9	9	66	30	IND	ATV
AT	22	x	11	- 9	9	9	82	37	IND	ATV
AT	25	x	12	- 9	9	9.5	116	53	IND	ATV
AT	24	x	13	- 9	9	10.5	117	53	IND	ATV
AT	25	x	13	- 9	9		130	59	IND	ATV
	18	x	4.25	- 10	10	3.625	20	9	AIR	
	18	x	4.4		10	3.5	18	8	AIR	VI
	6.50	- 10		10	4.75	49	22	AIR		H&I
	6.50	- 10	NHS	10	5	57	26	IND		SF&R
	6.50	- 10		10	5	57	26	IND		Tlr

TyrFI - Standard Flatproofing Weight Chart

(Listed by increasing Rim Diameter then by increasing Tire Width)

Tire				Rim		Weight of Fill		Class	Status	Use
				Diameter	Width	Lbs	Kgs			
H	22 x 6.50	- 10		10	4.75	43	20	AIR		
	19.5 x 6.75	- 10		10	4.25	33	15	AIR		
	22 x 6.75	- 10		10	4.75	45	20	AIR		
AT	21 x 7	- 10		10	5.5	44	20	IND		ATV
	21 x 7.25	- 10		10	5.5	44	20	AIR		
	7.50	- 10	SL	10	5.5	76	35	AGR		Imp
	7.50 L	- 10	NHS	10	5.5	76	35	IND	CB	
	7.50	- 10	NHS	10	5.5	76	35	IND		SF&R
	7.50	- 10		10	6	79	36	IND		Tlr
	7.50/9.00	- 10	NHS	10	5.5	76	35	IND		
	7.50/9.00	- 10		10	6	79	36	IND		
AT	24 x 7.7	- 10		10	5.5	64	29	AIR		VI
	22 x 7.75	- 10		10	4.75	52	24	AIR		
	20 x 8	- 10		10	6.5	46	21	IND		ATV
	22 x 8	- 10		10	6.5	57	26	IND		ATV
AT	23 x 8	- 10	NHS	10	6.5	61	28	IND		SF&R
	25 x 8	- 10		10	6.5	76	35	IND		ATV
	20.5 x 8.0	- 10		10	6	56	25	IND		Tlr
	22 x 8.0	- 10		10	5	53	24	AIR		
	20 x 8.00	- 10	NHS	10	6	40	18	IND		UM/L&G
AT	22 x 9	- 10		10	6.25	93	42	AIR		Hel
	27 x 9	- 10	NHS	10	7	64	29	IND		ATV
	9.00	- 10	SL	10	6.5	99	45	IND		CSF&R
	9.00 L	- 10	NHS	10	6	109	50	AGR		Imp
	9.00	- 10	NHS	10	6.5	99	45	IND	CB	
AT	18 x 10	- 10	NHS	10	6	109	50	IND		CSF&R
	20 x 10	- 10		10	8	44	20	IND		ATV
	22 x 10	- 10		10	8	57	26	IND		ATV
	22 x 10	- 10		10	8	72	33	IND		ATV
	18 x 11	- 10		10	9	49	22	IND		ATV
AT	20 x 11	- 10		10	9	64	29	IND		ATV
	22 x 11	- 10		10	9	80	36	IND		ATV
	24 x 11	- 10		10	9	97	44	IND		ATV
	29 x 11.0	- 10		10	8.5	151	69	AIR		Hel
	25 x 12	- 10		10	9.5	113	51	IND		ATV
B	15 L	- 10	NHS	10	13	161	73	IND	CB	
	27 x 15	- 10	NHS	10	13	161	73	IND		CSF&R
	24 x 9.5	- 10.5		10.5	6	79	36	AIR		
AT	23 x 8	- 11		11	6.5	61	28	IND		ATV
	24 x 8	- 11		11	6.5	68	31	IND		ATV
	24 x 9	- 11		11	7	75	34	IND		ATV
	10.00	- 11		11	7	171	78	AIR		

TyrFI - Standard Flatproofing Weight Chart

(Listed by increasing Rim Diameter then by increasing Tire Width)

Tire	Rim		Weight of Fill		Class	Status	Use
	Diameter	Width	Lbs	Kgs			
4.00 - 12 SL	12	3	26	12	AGR		FS-TrS
4.80 - 12 NHS	12	3.75	25	11	IND		SF&R
4.80 - 12 NHS	12	3.75	25	11	IND		Tlr
4.80/4.00 - 12 NHS	12	3.75	25	11	IND		
4.80/4.00 - 12 NHS	12	3.75	25	11	IND		
5 - 12 NHS	12	4	28	13	AGR	OB	L&G
5.30 - 12 NHS	12	4.25	32	15	IND		SF&R
5.30 - 12 NHS	12	4.25	32	15	IND		Tlr
5.30/4.50 - 12 NHS	12	4.25	32	15	IND		
5.30/4.50 - 12 NHS	12	4.25	32	15	IND		
5.70 - 12 NHS	12	4.5	38	17	IND		SS/M&L
P 145/ 80 - 12	12	4	34	15	PAS		HS
P 145/ 80 R12	12	4	35	16	PAS		HS
22 x 5.75 - 12	12	4.25	34	15	AIR		
6 - 12	12	5	43	20	AGR	OB	L&G
P 155/ 80 - 12	12	4.5	40	18	PAS		HS
P 155/ 80 R12	12	4.5	42	19	PAS		HS
P 165/ 70 - 12	12	4.5	39	18	PAS		HS
P 165/ 70 R12	12	4.5	40	18	PAS		HS
23 x 7.0 - 12	12	6.25	50	23	AIR		
7.00 - 12 NHS	12	5	75	34	IND		CSF&R
24 x 7.25 - 12 NHS	12	6.25	60	27	AIR		
23 x 8 - 12 NHS	12	6	53	24	IND		SF&R
23.5 x 8.5 - 12 NHS	12	7	61	28	IND		Tlr
C 24.5 x 8.5 - 12 NHS	12	4.5	68	31	AIR		LBSR
23 x 8.50 - 12 NHS	12	7	62	28	IND		SS/M&L
23 x 8.50 - 12 NHS	12	7	58	26	IND		U/L&G
23 x 9 - 12 NHS	12	7	60	27	IND		SF&R
28 x 9.0 - 12 NHS	12	6.63	108	49	AIR		
23 x 9.50 - 12 NHS	12	7	64	29	IND		U/L&G
23 x 10 - 12 NHS	12	8	85	39	IND		SF&R
27 x 10 - 12 NHS	12	8	101	46	IND		SF&R
23 x 10.50 - 12 NHS	12	8.5	89	40	IND		U/L&G
23.5 x 11 - 12 NHS	12	8.75	77	35	IND		CSF&R
11.00 - 12 NHS	12	8.25	190	86	AIR		Hd
24 x 12 - 12 NHS	12	9	89	40	IND		CSF&R
25 x 12 - 12 NHS	12	9.75	100	45	IND		CSF&R
26 x 12.00 - 12 NHS	12	10.5	144	65	IND		U/L&G
H 31 x 13.0 - 12 NHS	12	8	184	84	AIR		
15.00 - 12 NHS	12	11	298	135	AIR		III

TyrFI - Standard Flatproofing Weight Chart

(Listed by increasing Rim Diameter then by increasing Tire Width)

Tire	Rim		Weight of Fill		Class	Status	Use
	Diameter	Width	Lbs	Kgs			
16 x 1.75	12.31	.98	3.1	1.4	CYC		BC
16 x 2.125	12.31	1.06	4.9	2.2	CYC		BC
16 x 1 3/4	12.48	.94	3.6	1.6	CYC		BC
8.90 - 12.50	12.5	6.75	96	44	AIR		III
T 105/ 80 - 13	13	4	20	9	PAS		HS-Sp
T 105/ 80 R13	13	4	21	10	PAS		HS-Sp
T 125/ 80 - 13	13	4	27	12	PAS		HS-Sp
T 125/ 80 R13	13	4	29	13	PAS		HS-Sp
P 145/ 80 - 13	13	4.5	37	17	PAS		HS
P 145/ 80 R13	13	4.5	39	18	PAS		HS
P 155/ 70 - 13	13	4.5	36	16	PAS		HS
P 155/ 70 R13	13	4.5	38	17	PAS		HS
P 155/ 80 - 13	13	4.5	42	19	PAS		HS
P 155/ 80 R13	13	4.5	44	20	PAS		HS
P 165/ 65 R13	13	4.5	39	18	PAS		HS
P 165/ 70 - 13	13	4.5	41	19	PAS		HS
P 165/ 70 R13	13	4.5	43	20	PAS		HS
P 165/ 75 - 13	13	4.5	44	20	PAS	NR	HS
P 165/ 75 R13	13	4.5	46	21	PAS	NR	HS
P 165/ 80 - 13	13	4.5	48	22	PAS		HS
P 165/ 80 R13	13	4.5	50	23	PAS		HS
6.50 - 13 ST	13	4.5	58	26	T&B		HS-Tlr
A 78 - 13	13	4.5	49	22	PAS	CB	HS
A 78 - 13 ST	13	4.5	47	21	T&B		HS-Tlr
B R 78 - 13	13	4.5	55	25	PAS	CB	HS
P 175/ 70 - 13	13	5	47	21	PAS		HS
P 175/ 70 R13	13	5	49	22	PAS		HS
P 175/ 75 - 13	13	5	51	23	PAS	NR	HS
P 175/ 75 R13	13	5	53	24	PAS	NR	HS
LT 175/ 75 - 13	13	5	49	22	T&B		HS
LT 175/ 75 R13	13	5	51	23	T&B		HS
P 175/ 80 - 13	13	5	55	25	PAS		HS
P 175/ 80 R13	13	5	58	26	PAS		HS
ST 175/ 80 R13	13	5	55	25	T&B		HS-Tlr
B 78 - 13	13	5	64	29	PAS	CB	HS
B 78 - 13 ST	13	5	64	29	T&B		HS-Tlr
A 70 - 13	13	5	51	23	PAS	CB	HS
C 78 - 13	13	5	69	31	PAS	CB	HS
C 78 - 13 ST	13	5	69	31	T&B		HS-Tlr

TyrFI - Standard Flatproofing Weight Chart

(Listed by increasing Rim Diameter then by increasing Tire Width)

	Tire	Rim		Weight of Fill		Class	Status	Use
		Diameter	Width	Lbs	Kgs			
P	185/ 60 - 13	13	5	43	20	PAS		HS
P	185/ 60 R13	13	5	45	20	PAS		HS
P	185/ 70 - 13	13	5	52	24	PAS		HS
P	185/ 70 R13	13	5	55	25	PAS		HS
P	185/ 75 - 13	13	5	57	26	PAS	NR	HS
P	185/ 75 R13	13	5	60	27	PAS	NR	HS
P	185/ 80 - 13	13	5	61	28	PAS		HS
P	185/ 80 R13	13	5	64	29	PAS		HS
ST	185/ 80 R13	13	5	62	28	T&B		HS-Tlr
	B 70 - 13	13	5	57	26	PAS	CB	HS
	24 x 7.50 - 13 LT	13	6	54	25	T&B		HS-HF
	24 x 7.50 R13 LT	13	6	57	26	T&B		HS-HF
	B R 70 - 13	13	5.5	61	28	PAS	CB	HS
P	195/ 60 - 13	13	5.5	49	22	PAS		HS
P	195/ 60 R13	13	5.5	52	24	PAS		HS
P	195/ 65 R13	13	5.5	57	26	PAS		HS
P	195/ 70 - 13	13	5.5	60	27	PAS		HS
P	195/ 70 R13	13	5.5	63	29	PAS		HS
	D 78 - 13	13	5.5	66	30	PAS	CB	HS
	A 60 - 13	13	5.5	51	23	PAS	CB	HS
P	205/ 60 - 13	13	5.5	54	25	PAS		HS
P	205/ 60 R13	13	5.5	57	26	PAS		HS
P	205/ 70 - 13	13	5.5	66	30	PAS		HS
P	205/ 70 R13	13	5.5	69	31	PAS		HS
	B 60 - 13	13	6	58	26	PAS	CB	HS
	B R 60 - 13	13	6	61	28	PAS	CB	HS
P	215/ 50 - 13	13	6	50	23	PAS		HS
P	215/ 50 R13	13	6	52	24	PAS		HS
P	215/ 60 - 13	13	6	61	28	PAS		HS
P	215/ 60 R13	13	6	64	29	PAS		HS
P	225/ 75 - 13	13	6.5	54	25	PAS		HS
P	225/ 75 R13	13	6.5	56	25	PAS		HS
	B 50 - 13	13	6.5	57	26	PAS	CB	HS
P	235/ 50 - 13	13	6.5	60	27	PAS		HS
P	235/ 50 R13	13	6.5	63	29	PAS		HS
P	235/ 60 - 13	13	6.5	74	34	PAS		HS
P	235/ 60 R13	13	6.5	78	35	PAS		HS
P	245/ 50 - 13	13	7	67	30	PAS		HS
P	245/ 50 R13	13	7	70	32	PAS		HS
H	31 x 9.75 - 13	13	6.5	132	60	AIR		

TyrFI - Standard Flatproofing Weight Chart

(Listed by increasing Rim Diameter then by increasing Tire Width)

	Tire	Rim		Weight of Fill		Class	Status	Use
		Diameter	Width	Lbs	Kgs			
T	105/ 70 - 14	14	4	19	9	PAS		HS-Sp
T	105/ 70 R14	14	4	20	9	PAS		HS-Sp
T	115/ 70 - 14	14	4	22	10	PAS		HS-Sp
T	115/ 70 R14	14	4	23	10	PAS		HS-Sp
T	125/ 70 - 14	14	4	25	11	PAS		HS-Sp
T	125/ 70 R14	14	4	26	12	PAS		HS-Sp
T	135/ 70 - 14	14	4	29	13	PAS		HS-Sp
T	135/ 70 R14	14	4	30	14	PAS		HS-Sp
T	135/ 80 - 14	14	4	33	15	PAS		HS-Sp
T	135/ 80 R14	14	4	35	16	PAS		HS-Sp
	6.00 - 14 SL	14	5	68	31	AGR		FS-TrS
E	165/ 65 R14	14	4.5	41	19	PAS		HS-EE
P	165/ 80 - 14	14	4.5	50	23	PAS	NR	HS
P	165/ 80 R14	14	4.5	53	24	PAS	NR	HS
	26 x 6.6	14	5	55	25	AIR		VI
	B 78 - 14	14	4.5	53	24	PAS	CB	HS
	25.75x 6.75 - 14	14	5	55	25	AIR		
	26 x 6.75 - 14	14	5	57	26	AIR		
P	175/ 60 - 14	14	5	41	19	PAS		HS
P	175/ 60 R14	14	5	43	20	PAS		HS
P	175/ 65 R14	14	5	47	21	PAS		HS
P	175/ 70 - 14	14	5	50	23	PAS		HS
P	175/ 70 R14	14	5	52	24	PAS		HS
P	175/ 75 - 14	14	5	53	24	PAS		HS
P	175/ 75 R14	14	5	56	25	PAS		HS
LT	175/ 75 - 14	14	5	52	24	T&B		HS
LT	175/ 75 R14	14	5	54	25	T&B		HS
P	175/ 80 - 14	14	5	58	26	PAS	NR	HS
P	175/ 80 R14	14	5	61	28	PAS	NR	HS
	7.00 - 14 LT	14	5	71	32	T&B	NR	HS
	7.00 R14 LT	14	5	71	32	T&B	NR	HS
	C 78 - 14	14	5	70	32	PAS	CB	HS
	D R 78 - 14	14	5	65	30	PAS	CB	HS
P	185/ 60 - 14	14	5	45	20	PAS		HS
P	185/ 60 R14	14	5	48	22	PAS		HS
P	185/ 65 R14	14	5	52	24	PAS		HS
P	185/ 70 - 14	14	5	55	25	PAS		HS
P	185/ 70 R14	14	5	57	26	PAS		HS
P	185/ 75 - 14	14	5	59	27	PAS		HS
P	185/ 75 R14	14	5	62	28	PAS		HS
LT	185/ 75 - 14	14	5	57	26	T&B		HS
LT	185/ 75 R14	14	5	60	27	T&B		HS
P	185/ 80 - 14	14	5	64	29	PAS	NR	HS
P	185/ 80 R14	14	5	67	30	PAS	NR	HS
	D 78 - 14	14	5	64	29	PAS	CB	HS

TyrFI - Standard Flatproofing Weight Chart

(Listed by increasing Rim Diameter then by increasing Tire Width)

(Listed by increasing Rim Diameter then by increasing Tire Width)												
Tire					Rim		Weight of Fill		Class	Status	Use	
					Diameter	Width	Lbs	Kgs				
P	E	R	78	- 14	SL	14	5	70	32	PAS	CB	HS
	7.50			- 14		14	5	75	34	AGR		Imp
	7.50			- 14		14	5.5	75	34	AIR		III
	E		78	- 14		14	5.5	82	37	PAS	CB	HS
	195/	60		- 14		14	5.5	52	24	PAS		HS
P	195/	60	R14			14	5.5	54	25	PAS		HS
P	195/	65	R14			14	5.5	67	30	PAS		HS
P	195/	70	- 14			14	5.5	62	28	PAS		HS
P	195/	70	R14			14	5.5	65	30	PAS		HS
P	195/	75	- 14			14	5.5	71	32	PAS		HS
P	195/	75	R14			14	5.5	71	32	PAS		HS
LT	195/	75	- 14			14	5.5	65	30	T&B		HS
LT	195/	75	R14			14	5.5	68	31	T&B		HS
	E		78	- 14	ST	14	5.5	68	31	T&B		HS-Tlr
	D		70	- 14		14	5.5	67	30	PAS	CB	HS
	E		78	- 14	LT	14	5.5	71	32	T&B	CB	HS
	E	R	78	- 14	LT	14	5.5	75	34	T&B	CB	HS
	F	R	78	- 14		14	5.5	78	35	PAS	CB	HS
	F		78	- 14		14	5.5	89	40	PAS	CB	HS
	F		78	- 14	ST	14	5.5	74	34	T&B		HS-Tlr
	7.9			- 14	LT	14	7	69	31	T&B	NR	HS
H	26.5 x	8.0		- 14		14	5	70	32	AIR		
	E		70	- 14		14	5.5	72	33	PAS	CB	HS
P	205/	60	- 14			14	5.5	57	26	PAS		HS
P	205/	60	R14			14	5.5	59	27	PAS		HS
P	205/	70	- 14			14	5.5	62	28	PAS		HS
P	205/	70	R14			14	5.5	62	28	PAS		HS
P	205/	75	- 14			14	5.5	75	34	PAS		HS
P	205/	75	R14			14	5.5	78	35	PAS		HS
ST	205/	75	R14			14	5.5	75	34	T&B		HS-Tlr
	E	R	70	- 14		14	5.5	75	34	PAS	CB	HS
	F		70	- 14		14	5.5	78	35	PAS	CB	HS
	F		70	- 14	ST	14	5.5	77	35	T&B		HS-Tlr
	G	R	78	- 14		14	6	101	46	PAS	CB	HS
	G		78	- 14		14	6	101	46	PAS	CB	HS
	G		78	- 14	LT	14	6	101	46	T&B	CB	HS
	G		78	- 14	ST	14	6	101	46	T&B		HS-Tlr
P	215/	60	- 14			14	6	64	29	PAS		HS
P	215/	60	R14			14	6	67	30	PAS		HS
P	215/	65	R14			14	6	74	34	PAS		HS
P	215/	70	- 14			14	6	78	35	PAS		HS
P	215/	70	R14			14	6	81	37	PAS		HS
P	215/	75	- 14			14	6	84	38	PAS		HS
P	215/	75	R14			14	6	88	40	PAS		HS
LT	215/	75	- 14			14	6	81	37	T&B		HS

TyrFI - Standard Flatproofing Weight Chart

(Listed by increasing Rim Diameter then by increasing Tire Width)

	Tire				Rim		Weight of Fill		Class	Status	Use
					Diameter	Width	Lbs	Kgs			
LT	215/	75	R14		14	6	85	39	T&B		HS
ST	215/	75	R14		14	6	85	39	T&B		HS-Tlr
	8.5	L	- 14	SL	14	6	105	48	AGR		Imp-LSH
	8.5		R14	LT	14	7	82	37	T&B	NR	HS
26 x	8.50		- 14	LT	14	7	73	33	T&B		HS-HF
26 x	8.50		R14	LT	14	7	76	35	T&B		HS-HF
27 x	8.50		- 14	LT	14	7	93	42	T&B		HS-HF
27 x	8.50		R14	LT	14	7	93	42	T&B		HS-HF
	F	R	70 - 14		14	6	84	38	PAS	CB	HS
	H		78 - 14		14	6	112	51	PAS	CB	HS
	H	78 - 14		ST	14	6	92	42	T&B		HS-Tlr
	G	70 - 14			14	6	87	40	PAS	CB	HS
	G	R	70 - 14		14	6	91	41	PAS	CB	HS
P	225/	60 - 14			14	6	70	32	PAS		HS
P	225/	60	R14		14	6	73	33	PAS		HS
P	225/	70 - 14			14	6	85	39	PAS		HS
P	225/	70	R14		14	6	89	40	PAS		HS
P	225/	75 - 14			14	6	92	42	PAS		HS
P	225/	75	R14		14	6	97	44	PAS		HS
	9		- 14	LT	14	7.5	126	57	T&B		HS
	E	60 - 14			14	6.5	73	33	PAS	CB	HS
	E	R	60 - 14		14	6.5	77	35	PAS	CB	HS
	H	70 - 14			14	6	97	44	PAS	CB	HS
	H	70 - 14		ST	14	6	94	43	T&B		HS-Tlr
P	235/	60 - 14			14	6.5	80	36	PAS		HS
P	235/	60	R14		14	6.5	81	37	PAS		HS
P	235/	70 - 14			14	6.5	94	43	PAS		HS
P	235/	70	R14		14	6.5	99	45	PAS		HS
	F	R	60 - 14		14	6.5	84	38	PAS	CB	HS
	9.5	L	- 14	SL	14	8	122	55	AGR		Imp-LSH
27 x	9.50		- 14	LT	14	7.5	89	40	T&B		HS-HF
27 x	9.50		R14	LT	14	7.5	93	42	T&B		HS-HF
29 x	9.50		- 14	LT	14	7.5	108	49	T&B		HS-HF
29 x	9.50		R14	LT	14	7.5	113	51	T&B		HS-HF
	F	60 - 14			14	7	81	37	PAS	CB	HS
P	245/	50 - 14			14	7	69	31	PAS		HS
P	245/	50	R14		14	7	73	33	PAS		HS
P	245/	60 - 14			14	7	86	39	PAS		HS
P	245/	60	R14		14	7	90	41	PAS		HS
P	245/	70 - 14			14	7	105	48	PAS		HS
P	245/	70	R14		14	7	110	50	PAS		HS
	G	60 - 14			14	7	89	40	PAS	CB	HS
	G	R	60 - 14		14	7	93	42	PAS	CB	HS
P	255/	55	R14		14	7	87	40	PAS		HS
P	255/	60 - 14			14	7	102	46	PAS		HS

TyrFI - Standard Flatproofing Weight Chart

(Listed by increasing Rim Diameter then by increasing Tire Width)

Tire				Rim		Weight of Fill		Class	Status	Use
				Diameter	Width	Lbs	Kgs			
P	255/	60	R14	14	7	107	49	PAS		HS
P	265/	50	- 14	14	7.5	82	37	PAS		HS
P	265/	50	R14	14	7.5	86	39	PAS		HS
P	265/	60	- 14	14	7.5	102	46	PAS		HS
P	265/	60	R14	14	7.5	107	49	PAS		HS
P	275/	60	- 14	14	7.5	110	50	PAS		HS
P	275/	60	R14	14	7.5	115	52	PAS		HS
	G	50	- 14	14	8	88	40	PAS	CB	HS
	11	L	- 14	SL	14	8	140	64	AGR	Imp-LSH
	11		- 14	LT	14	8	137	62	T&B	NR
34	x	11		14	9	181	82	AIR		VI
	L	60	- 14	14	8	115	52	PAS	CB	HS
	M	50	- 14	14	9	121	55	PAS	CB	HS
37	x	14.0	- 14	14	11	285	130	AIR		
18	x	1.625		14.31	.88	3.6	2.0	CYC		BC
	7		- 14.5	LT	14.5	6	81	37	T&B	CB
	7		- 14.5	MH	14.5	6	81	37	T&B	
	8		- 14.5	LT	14.5	6	100	45	T&B	CB
	8		- 14.5	MH	14.5	6	100	45	T&B	
	9		- 14.5	LT	14.5	7	112	51	T&B	CB
	9		- 14.5	MH	14.5	7	112	51	T&B	
	4.00		- 15	SL	15	3	31	14	AGR	FS-TrS
T	105/	70	- 15		15	4	20	9	PAS	HS-Sp
T	105/	70	R15		15	4	21	10	PAS	HS-Sp
T	115/	70	- 15		15	4	23	10	PAS	HS-Sp
T	115/	70	R15		15	4	24	11	PAS	HS-Sp
T	125/	70	- 15		15	4	27	12	PAS	HS-Sp
T	125/	70	R15		15	4	28	13	PAS	HS-Sp
T	125/	90	- 15		15	4	35	16	PAS	HS-Sp
T	125/	90	R15		15	4	37	17	PAS	HS-Sp
	5.00		- 15	SL	15	3	44	20	AGR	FS-TrS
T	135/	70	- 15		15	4	30	14	PAS	HS-Sp
T	135/	70	R15		15	4	32	15	PAS	HS-Sp
T	135/	80	- 15		15	4	35	16	PAS	HS-Sp
T	135/	80	R15		15	4	37	17	PAS	HS-Sp
T	135/	90	- 15		15	4	40	18	PAS	HS-Sp
T	135/	90	R15		15	4	42	19	PAS	HS-Sp
M	140/	90	- 15	MC	15	3.5	43	20	CYC	MC
M	U	90	- 15	MC	15	3.5	45	20	CYC	MC
	5.70		- 15	NHS	15	4.5	44	20	IND	SS/M&L
M	V	85	- 15	MC	15	3.5	45	20	CYC	MC

TyrFI - Standard Flatproofing Weight Chart

(Listed by increasing Rim Diameter then by increasing Tire Width)

Tire				Rim		Weight of Fill		Class	Status	Use	
				Diameter	Width	Lbs	Kgs				
M	V	90	- 15	MC	15	3.5	49	22	CYC	MC	
	5.90		- 15	SL	15	4.5	54	25	AGR	Imp	
M	150/	90	- 15	MC	15	3.5	49	22	CYC	MC	
	6.10		- 15	LT	15	4.5	72	33	T&B	HS	
	6.10		R15	LT	15	4.5	72	33	T&B	HS	
P	155/	80	- 15		15	4.5	47	21	PAS	NR	HS
P	155/	80	R15		15	4.5	49	22	PAS	NR	HS
	A	78	- 15		15	4.5	48	22	PAS	CB	HS
	6.40		- 15	SL	15	4.5	67	30	AGR		Imp
P	165/	80	- 15		15	4.5	53	24	PAS	NR	HS
P	165/	80	R15		15	4.5	55	25	PAS	NR	HS
	6.70		- 15	SL	15	4.5	71	32	AGR		Imp
	6.70		- 15	LT	15	5	83	38	T&B		HS
	6.70		R15	LT	15	5	85	39	T&B		HS
	7.00		- 15	NHS	15	6	65	30	IND	CB	
	7.00	L	- 15	NHS	15	5.5	81	37	IND	CB	
	7.00		- 15	SS	15	5.5	95	43	IND		SS/M&L
	7.00		- 15	TR	15	5.5	99	45	T&B		HS
	7.00		- 15	LT	15	5.5	96	44	T&B		HS
	7.00		R15	LT	15	5.5	100	45	T&B		HS
	7.00		R15	TR	15	5.5	104	47	T&B		HS
	7.10		- 15	LT	15	5	90	41	T&B	NR	HS
	7.10		R15	LT	15	5	94	43	T&B	NR	HS
P	185/	60	- 15		15	5	48	22	PAS		HS
P	185/	60	R15		15	5	50	23	PAS		HS
P	185/	65	R15		15	5	55	25	PAS		HS
P	185/	70	- 15		15	5	58	26	PAS		HS
P	185/	70	R15		15	5	60	27	PAS		HS
	E	78	- 15		15	5	69	31	PAS	CB	HS
	E	78	- 15	ST	15	5	66	30	T&B		HS-Tr
	7.5	L	- 15	SL	15	6	100	45	AGR		FS-TrS-LSH
	7.50		- 15 30	NHS	15	6	93	42	IND	CB	
	7.50		- 15	NHS	15	6	115	52	IND		CSF&R
	7.50		- 15	NHS	15	6	121	55	OTR		CV-05
	7.50		- 15	TR	15	6	118	54	T&B		HS
	7.50		- 15	LT	15	6	116	53	T&B	NR	HS
	7.50		R15	LT	15	6	121	55	T&B	NR	HS
	7.50		R15	TR	15	6	124	56	T&B		HS
25 x	7.50		- 15	NHS	15	6	61	28	AGR		A&I-HF
	7.60		- 15	SL	15	6	91	41	AGR		IMP
P	195/	50	- 15		15	5.5	44	20	PAS		HS
P	195/	50	R15		15	5.5	47	21	PAS		HS
P	195/	60	- 15		15	5.5	54	25	PAS		HS
P	195/	60	R15		15	5.5	57	26	PAS		HS
P	195/	65	R15		15	5.5	63	29	PAS		HS

TyrFI - Standard Flatproofing Weight Chart

(Listed by increasing Rim Diameter then by increasing Tire Width)

Tire				Rim		Weight of Fill		Class	Status	Use
				Diameter	Width	Lbs	Kgs			
P	195/	70	- 15	15	5.5	66	30	PAS		HS
P	195/	70	R15	15	5.5	69	31	PAS		HS
P	195/	75	- 15	15	5.5	71	32	PAS		HS
P	195/	75	R15	15	5.5	74	34	PAS		HS
LT	195/	75	- 15	15	5.5	69	31	T&B		HS
LT	195/	75	R15	15	5.5	72	33	T&B		HS
P	195/	80	- 15	15	5.5	77	35	PAS	NR	HS
P	195/	80	R15	15	5.5	81	37	PAS	NR	HS
	F	78	- 15	15	5.5	77	35	PAS	CB	HS
	F R	78	- 15	15	5.5	78	35	PAS	CB	HS
	29 x	7.7		15	6	80	36	AIR		VI
	F	78	- 15	15	5.5	75	34	T&B		HS-Tlr
	7.75		- 15	15	5.5	81	37	T&B		HS-Tlr
	27 x	7.75		15	6	68	31	AIR		
	29 x	8		15	5.5	81	37	IND		CSF&R
	30 x	8		15	6	93	42	IND		SF&R
	G	78	- 15	15	5.5	84	38	PAS	CB	HS
	G	78	- 15	15	5.5	81	37	T&B		HS-Tlr
P	205/	50	- 15	15	5.5	49	22	PAS		HS
P	205/	50	R15	15	5.5	51	23	PAS		HS
P	205/	55	R15	15	5.5	57	26	PAS		HS
P	205/	60	- 15	15	5.5	60	27	PAS		HS
P	205/	60	R15	15	5.5	62	28	PAS		HS
P	205/	65	R15	15	5.5	68	31	PAS		HS
P	205/	70	- 15	15	5.5	72	33	PAS		HS
P	205/	70	R15	15	5.5	75	34	PAS		HS
P	205/	75	- 15	15	5.5	79	36	PAS		HS
P	205/	75	R15	15	5.5	83	38	PAS		HS
LT	205/	75	- 15	15	5.5	76	35	T&B		HS
LT	205/	75	R15	15	5.5	80	36	T&B		HS
ST	205/	75	R15	15	5.5	80	36	T&B		HS-Tlr
	G R	78	- 15	15	6	87	40	PAS	CB	HS
	8.15		- 15	15	7	117	53	IND		SF&R
	8.25		- 15	15	6.5	141	64	IND		CSF&R
	8.25		- 15	15	6	142	65	IND		SS/M&L
	8.25		- 15	15	6.5	147	67	T&B		HS
	8.25		R15	15	6.5	154	70	T&B		HS
	F	70	- 15	15	6	80	36	PAS	CB	HS
	G	78	- 15	15	6	86	39	T&B	CB	HS
	G R	78	- 15	15	6	90	41	T&B	CB	HS
	H R	78	- 15	15	6	96	44	PAS	CB	HS
P	215/	60	- 15	15	6	67	30	PAS		HS
P	215/	60	R15	15	6	70	32	PAS		HS
P	215/	65	R15	15	6	78	35	PAS		HS
P	215/	70	- 15	15	6	81	37	PAS		HS

TyrFI - Standard Flatproofing Weight Chart

(Listed by increasing Rim Diameter then by increasing Tire Width)

Tire		Rim		Weight of Fill		Class	Status	Use
		Diameter	Width	Lbs	Kgs			
P	215/ 70 R15	15	6	85	39	PAS		HS
P	215/ 75 - 15	15	6	88	40	PAS		HS
P	215/ 75 R15	15	6	92	42	PAS		HS
LT	215/ 75 - 15	15	6	86	39	T&B		HS
LT	215/ 75 R15	15	6	90	41	T&B		HS
	8.5 / 90 - 15 K	15	6	136	62	OTR		CV-05
27 x	8.50 - 15 NHS	15	7	85	39	AGR		A&I-HF
27 x	8.50 - 15 NHS	15	7	81	37	IND		SS/M&L
28 x	8.50 - 15 LT	15	7	86	39	T&B		HS-HF
28 x	8.50 R15 LT	15	7	91	41	T&B		HS-HF
	H 78 - 15	15	6	96	44	PAS	CB	HS
	H 78 - 15 ST	15	6	92	42	T&B		HS-Tlr
	8.55 - 15 ST	15	6	111	50	T&B		HS-Tlr
	G 70 - 15	15	6	87	40	PAS	CB	HS
	J R 78 - 15	15	6	102	46	PAS	CB	HS
	G R 70 - 15	15	6	91	41	PAS	CB	HS
	J 78 - 15	15	6	101	46	PAS	CB	HS
	H 78 - 15 LT	15	6	96	44	T&B	CB	HS
30 x	H R 78 - 15 LT	15	6	100	45	T&B	CB	HS
	8.8 R15	15	7	119	54	AIR		
	L 78 - 15	15	6	107	49	PAS	CB	HS
P	225/ 50 - 15	15	6	59	27	PAS		HS
P	225/ 50 R15	15	6	62	28	PAS		HS
P	225/ 55 R15	15	6	69	31	PAS		HS
P	225/ 60 - 15	15	6	73	33	PAS		HS
P	225/ 60 R15	15	6	77	35	PAS		HS
P	225/ 65 R15	15	6	84	38	PAS		HS
P	225/ 70 - 15	15	6	89	40	PAS		HS
P	225/ 70 R15	15	6	93	42	PAS		HS
P	225/ 75 - 15	15	6	97	44	PAS		HS
P	225/ 75 R15	15	6	101	46	PAS		HS
ST	225/ 75 R15	15	6	99	45	T&B		HS-Tlr
	H 70 - 15	15	6	96	44	PAS	CB	HS
	L R 78 - 15	15	6.5	111	50	PAS	CB	HS
	9 - 15 LT	15	8	117	53	T&B	NR	HS
28 x	9 R15 LT	15	8	123	56	T&B	NR	HS
	9 - 15 NHS	15	7	82	37	IND		CSF&R
	9.00 - 15 NHS	15	7	185	84	IND		CSF&R
	9.00 - 15 DT	15	6	160	73	OTR		Qr-MS-DT
	9.00 R15 DT	15	6	161	73	OTR		Qr-MS-DT
	9.00 - 15 TR	15	7	183	83	T&B		HS
	9.00 R15 TR	15	7	192	87	T&B		HS
	F 60 - 15	15	6.5	79	36	PAS	CB	HS
	H R 70 - 15	15	6.5	103	47	PAS	CB	HS
P	235 / 60 - 15	15	6.5	81	37	PAS		HS

TyrFI - Standard Flatproofing Weight Chart

(Listed by increasing Rim Diameter then by increasing Tire Width)

Tire				Rim		Weight of Fill		Class	Status	Use
				Diameter	Width	Lbs	Kgs			
P	235/	60	R15	15	6.5	85	39	PAS		HS
P	235/	65	R15	15	6.5	94	43	PAS		HS
P	235/	70	- 15	15	6.5	99	45	PAS		HS
P	235/	70	R15	15	6.5	104	47	PAS		HS
P	235/	75	- 15	15	6.5	107	49	PAS		HS
P	235/	75	R15	15	6.5	112	51	PAS		HS
LT	235/	75	- 15	15	6.5	105	48	T&B		HS
LT	235/	75	R15	15	6.5	110	50	T&B		HS
	L	78	- 15	LT	15	6.5	110	T&B	CB	HS
	L	R 78	- 15	LT	15	6.5	115	T&B	CB	HS
	K	70	- 15		15	6.5	107	PAS	CB	HS
	G	R 60	- 15		15	6.5	91	PAS	CB	HS
	9.5	L	- 15	SL	15	8	135	AGR		FS-TrS-LSH
	9.5	L	- 15	F	15	8	129	AGR		Imp-LSH
	9.50	- 15		F	15	7	88	AGR		Imp
	27 x	9.50	- 15	NHS	15	7	89	AGR		A&I-HF
	27 x	9.50	- 15	LT	15	7.5	86	T&B		HS-HF
	27 x	9.50	R15	LT	15	7.5	90	T&B		HS-HF
	29 x	9.50	- 15	LT	15	7.5	105	T&B		HS-HF
	29 x	9.50	R15	LT	15	7.5	110	T&B		HS-HF
	30 x	9.50	- 15	LT	15	7.5	131	T&B		HS-HF
	30 x	9.50	R15	LT	15	7.5	131	T&B		HS-HF
	L	70	- 15		15	6.5	111	PAS	CB	HS
	9.60	- 15		SL	15	7.5	135	AGR		
P	245/	50	- 15		15	7	73	PAS		HS
P	245/	50	R15		15	7	77	PAS		HS
P	245/	60	- 15		15	7	90	PAS		HS
P	245/	60	R15		15	7	95	PAS		HS
P	245/	65	R15		15	7	104	PAS		HS
P	245/	70	- 15		15	7	110	PAS		HS
P	245/	70	R15		15	7	115	PAS		HS
	L	R 70	- 15		15	6.5	117	PAS	CB	HS
	G	60	- 15		15	7	88	PAS	CB	HS
	N	78	- 15		15	7	127	PAS	CB	HS
	250	- 15		NHS	15	7.5	106	IND		
	10	- 15		LT	15	8	160	T&B	NR	HS
	10	R15		LT	15	8	160	T&B	NR	HS
	29 x	10	- 15	NHS	15	7.5	106	IND		CSF&R
	10.00	- 15		SL	15	8	192	AGR		Imp
	10.00	L	- 15	NHS	15	7.5	200	IND	CB	
	10.00	- 15		NHS	15	7.5	217	IND		CSF&R
	10.00	- 15		TR	15	7.5	215	T&B		HS
	10.00	R15		TR	15	7.5	226	T&B		HS
P	255/	55	R15		15	7	92	PAS		HS
P	255/	60	- 15		15	7	98	PAS		HS

TyrFI - Standard Flatproofing Weight Chart

(Listed by increasing Rim Diameter then by increasing Tire Width)

	Tire	Rim		Weight of Fill		Class	Status	Use
		Diameter	Width	Lbs	Kgs			
P	255/ 60 R15	15	7	102	46	PAS		HS
P	255/ 65 R15	15	7	113	51	PAS		HS
P	255/ 70 - 15	15	7	119	54	PAS		HS
P	255/ 70 R15	15	7	125	57	PAS		HS
LT	255/ 75 - 15	15	7	126	57	T&B		HS
LT	255/ 75 R15	15	7	132	60	T&B		HS
	H 60 - 15	15	7	98	45	PAS	CB	HS
	H R 60 - 15	15	7	111	50	PAS	CB	HS
	G 50 - 15	15	7	84	38	PAS	CB	HS
P	265/ 50 - 15	15	7.5	86	39	PAS		HS
P	265/ 50 R15	15	7.5	90	41	PAS		HS
P	265/ 60 - 15	15	7.5	107	49	PAS		HS
P	265/ 60 R15	15	7.5	112	51	PAS		HS
P	265/ 75 - 15	15	7.5	143	65	PAS		HS
P	265/ 75 R15	15	7.5	150	68	PAS		HS
	L 60 - 15	15	7	130	59	PAS	CB	HS
	L R 60 - 15	15	7	130	59	PAS	CB	HS
	27 x 10.50 - 15 NHS	15	8	106	48	AGR		A&I-HF
	31 x 10.50 - 15 LT	15	8.5	163	74	T&B		HS-HF
	31 x 10.50 R15 LT	15	8.5	163	74	T&B		HS-HF
	33 x 10.50 - 15 LT	15	8.5	163	74	T&B		HS-HF
	33 x 10.50 R15 LT	15	8.5	170	77	T&B		HS-HF
P	275/ 50 - 15	15	7.5	93	42	PAS		HS
P	275/ 50 R15	15	7.5	97	44	PAS		HS
P	275/ 60 - 15	15	7.5	115	52	PAS		HS
P	275/ 60 R15	15	7.5	121	55	PAS		HS
	11 L - 15 SL	15	8	165	75	AGR		FS-TrS-LSH
	11 L - 15 F	15	8	152	69	AGR		Imp-LSH
	11 - 15 LT	15	8	143	65	T&B	NR	HS
	11 R15 LT	15	8	150	68	T&B	NR	HS
	36 x 11 - 15 NHS	15	7.5	200	91	IND		OSF&R
	11.00 - 15 NHS	15	8	248	113	IND		OSF&R
	11.00 - 15 TR	15	8	245	111	T&B		HS
	11.00 R15 TR	15	8	258	117	T&B		HS
P	285/ 70 - 15	15	8	154	70	PAS		HS
P	285/ 70 R15	15	8	161	73	PAS		HS
	32 x 11.5 - 15	15	9	175	80	AIR		
	31 x 11.50 - 15 LT	15	9	172	78	T&B		HS-HF
	31 x 11.50 R15 LT	15	9	172	78	T&B		HS-HF
	32 x 11.50 - 15 LT	15	9	175	80	T&B		HS-HF
	32 x 11.50 R15 LT	15	9	175	80	T&B		HS-HF
P	295/ 50 - 15	15	8	108	49	PAS		HS
P	295/ 50 R15	15	8	113	51	PAS		HS
	300 - 15 NHS	15	9.75	171	78	IND		
	12 - 15 LT	15	10	240	109	T&B	NR	HS

TyrFI - Standard Flatproofing Weight Chart

(Listed by increasing Rim Diameter then by increasing Tire Width)

Tire				Rim		Weight of Fill		Class	Status	Use
				Diameter	Width	Lbs	Kgs			
	12	R15	LT	15	10	240	109	T&B	NR	HS
28	x 12	- 15	NHS	15	9.75	115	52	IND		CSF&R
32	x 12	- 15	NHS	15	9.75	203	92	IND		CSF&R
	12.5	L - 15	SL	15	10	225	102	AGR		Imp-LSH
	12.5	L - 15	F	15	10	225	102	AGR		Imp-LSH
25	x 12.50	- 15	NHS	15	10	115	52	AGR		A&I-HF
29	x 12.50	- 15	NHS	15	10	156	71	AGR		A&I-HF
31	x 12.50	- 15	NHS	15	10	216	98	AGR		A&I-HF
33	x 12.50	- 15	NHS	15	10	223	101	AGR		A&I-HF
33	x 12.50	- 15	LT	15	10	223	101	T&B		HS-HF
33	x 12.50	R15	LT	15	10	223	101	T&B		HS-HF
35	x 12.50	- 15	LT	15	10	223	101	T&B		HS-HF
35	x 12.50	R15	LT	15	10	234	106	T&B		HS-HF
36	x 12.50	- 15	LT	15	10	239	109	T&B		HS-HF
36	x 12.50	R15	LT	15	10	250	114	T&B		HS-HF
37	x 12.50	- 15	LT	15	10	255	116	T&B		HS-HF
37	x 12.50	R15	LT	15	10	267	121	T&B		HS-HF
	N 50	- 15		15	9	146	66	PAS	CB	HS
P	325/ 50	- 15		15	9	135	61	PAS		HS
P	325/ 50	R15		15	9	141	64	PAS		HS
28	x 13	- 15	NHS	15	11.5	124	56	IND		CSF&R
	13.50	- 15	F	15	10	190	86	AGR		Imp
31	x 13.50	- 15	NHS	15	10	210	95	AGR		A&I-HF
31	x 13.50	- 15	LT	15	11	210	95	T&B		HS-HF
31	x 13.50	R15	LT	15	11	210	95	T&B		HS-HF
36	x 13.50	- 15	NHS	15	10	272	124	AGR		A&I-HF
H	37	x 14.0	- 15		9	277	126	AIR		
	14.50	L - 15	NHS	15	10.5	255	116	IND	CB	
35	x 14.50	- 15	LT	15	12	262	119	T&B		HS-HF
35	x 14.50	R15	LT	15	12	275	125	T&B		HS-HF
36	x 14.50	- 15	LT	15	12	280	127	T&B		HS-HF
36	x 14.50	R15	LT	15	12	294	134	T&B		HS-HF
37	x 14.50	- 15	LT	15	12	299	136	T&B		HS-HF
37	x 14.50	R15	LT	15	12	314	143	T&B		HS-HF
S	375/ 60	- 15		15	10	234	106	PAS		HS-HF
S	375/ 60	R15		15	10	245	111	PAS		HS-HF
32	x 15	- 15	NHS	15	11.5	198	90	IND		CSF&R
35	x 15	- 15	NHS	15	10.5	255	116	IND		CSF&R
31	x 15.50	- 15	NHS	15	13	220	100	AGR		A&I-HF
31	x 15.50	- 15	LT	15	12	220	100	T&B		HS-HF
31	x 15.50	R15	LT	15	12	220	100	T&B		HS-HF
39	x 15.50	- 15	LT	15	12	353	160	T&B		HS-HF
39	x 15.50	R15	LT	15	12	370	168	T&B		HS-HF

TyrFI - Standard Flatproofing Weight Chart

(Listed by increasing Rim Diameter then by increasing Tire Width)

Tire	Rim		Weight of Fill		Class	Status	Use
	Diameter	Width	Lbs	Kgs			
M	70/ 90 - 16	16	1.6	10	5	CYC	MC
M	70/ 100 - 16	16	1.6	11	5	CYC	MC
M	P 75 - 16	16	1.72	27	12	CYC	MC
M	80/ 90 - 16	16	1.85	13	6	CYC	MC
M	80/ 100 - 16	16	1.85	15	7	CYC	MC
M	90/ 90 - 16	16	2.15	17	8	CYC	MC
M	90/ 100 - 16	16	2.15	19	9	CYC	MC
M	100/ 90 - 16	16	2.5	22	10	CYC	MC
M	100/ 100 - 16	16	2.5	24	11	CYC	MC
T	105/ 70 - 16	16	4	21	10	PAS	HS-Sp
T	105/ 70 R16	16	4	22	10	PAS	HS-Sp
M	R 85 - 16	16	2.15	30	14	CYC	MC
T	115/ 70 - 16	16	4	24	11	PAS	HS-Sp
T	115/ 70 R16	16	4	25	11	PAS	HS-Sp
M	120/ 80 - 16	16	2.75	27	12	CYC	MC
T	125/ 70 - 16	16	4	28	13	PAS	HS-Sp
T	125/ 70 R16	16	4	29	13	PAS	HS-Sp
T	125/ 80 - 16	16	4	32	15	PAS	HS-Sp
T	125/ 80 R16	16	4	34	15	PAS	HS-Sp
T	125/ 90 - 16	16	4	37	17	PAS	HS-Sp
T	125/ 90 R16	16	4	39	18	PAS	HS-Sp
M	T 90 - 16	16	3	40	18	CYC	MC
M	130/ 80 - 16	16	3	33	15	CYC	MC
M	130/ 90 - 16	16	3	38	17	CYC	MC
M	130/ 100 - 16	16	3	43	20	CYC	MC
T	135/ 70 - 16	16	4	32	15	PAS	HS-Sp
T	135/ 70 R16	16	4	33	15	PAS	HS-Sp
	5.50 - 16 SL	16	4	60	27	AGR	FS-TrS
M	140/ 80 - 16	16	3.5	39	18	CYC	MC
M	140/ 90 - 16	16	3.5	45	20	CYC	MC
M	U 90 - 16	16	3.5	47	21	CYC	MC
T	145/ 80 - 16	16	4	42	19	PAS	HS-Sp
T	145/ 80 R16	16	4	44	20	PAS	HS-Sp
T	145/ 90 - 16	16	4	48	22	PAS	HS-Sp
T	145/ 90 R16	16	4	51	23	PAS	HS-Sp
M	150/ 90 - 16	16	3.5	51	23	CYC	MC
	6 - 16	16	5	54	25	AGR CB	L&G
	6.00 - 16 SL	16	4	70	32	AGR	FS-TrS
	6.00 - 16 NHS	16	4	61	28	IND	SF&R
	6.00 - 16 LT	16	4.5	73	33	T&B NR	HS

TyrFI - Standard Flatproofing Weight Chart

(Listed by increasing Rim Diameter then by increasing Tire Width)

Tire				Rim		Weight of Fill		Class	Status	Use
				Diameter	Width	Lbs	Kgs			
T	6.00	R16	LT	16	4.5	76	35	T&B	NR	HS
	155/ 80	- 16		16	4	47	21	PAS		HS-Sp
	155/ 80	D16		16	4.5	49	22	PAS		HS
	155/ 80	R16		16	4	50	23	PAS		HS-Sp
T	155/ 90	- 16		16	4	55	25	PAS		HS-Sp
T	155/ 90	R16		16	4	57	26	PAS		HS-Sp
	6.50	- 16	SL	16	4.5	83	38	AGR		FS-TrS
	6.50	- 16	LT	16	4.5	83	38	T&B		HS
	6.50	R16	LT	16	4.5	87	40	T&B		HS
	7.00	- 16	LT	16	5.5	100	45	T&B	NR	HS
	7.00	- 16	ML	16	5.5	110	50	T&B		M&L-IHS
	7.00	R16	LT	16	5.5	105	48	T&B	NR	HS
	7.50	- 16	SL	16	5.5	113	51	AGR		FS-TrS
	7.50	- 16	SS	16	6	111	50	IND		SS/M&L
	7.50	- 16	LT	16	6	131	60	T&B		HS
P	7.50	R16	LT	16	6	131	60	T&B		HS
	F 78	- 16	LT	16	5	79	36	T&B	OB	HS
	8.00	- 16	SL	16	5.5	122	55	AGR		FS-TrS
	205/ 55	R16		16	5.5	59	27	PAS		HS
	8.3	- 16		16	7	119	54	AGR		FS-TrD
P	215/ 60	- 16		16	6	70	32	PAS		HS
P	215/ 60	R16		16	6	74	34	PAS		HS
LT	215/ 85	- 16		16	6	105	48	T&B		HS
LT	215/ 85	R16		16	6	110	50	T&B		HS
	H 78	- 16	LT	16	6	102	46	T&B	OB	HS
32 x 8.8				16	7	109	50	AIR		VI
P	225/ 50	- 16		16	6	62	28	PAS		HS
P	225/ 50	R16		16	6	65	30	PAS		HS
P	225/ 55	R16		16	6	73	33	PAS		HS
P	225/ 60	- 16		16	6	77	35	PAS		HS
P	225/ 60	R16		16	6	80	36	PAS		HS
LT	225/ 75	- 16		16	6	112	51	T&B		HS
LT	225/ 75	R16		16	6	112	51	T&B		HS
	9.00	- 16	SL	16	6	148	67	AGR		Imp
	9.00	- 16	DT	16	6.5	175	80	OTR		Cr-MS-DT
	9.00	R16	DT	16	6.5	183	83	OTR		Cr-MS-DT
	9.00	- 16	LT	16	6.5	177	80	T&B	NR	HS
	9.00	R16	LT	16	6.5	185	84	T&B	NR	HS
	34 x 9.25	- 16		16	7	144	65	AIR		
P	235/ 50	- 16		16	6.5	69	31	PAS		HS
P	235/ 50	R16		16	6.5	72	33	PAS		HS
P	235/ 55	R16		16	6.5	80	36	PAS		HS
P	235/ 65	R16		16	6.5	99	45	PAS		HS
LT	235/ 85	- 16		16	6.5	129	59	T&B		HS
LT	235/ 85	R16		16	6.5	135	61	T&B		HS

TyrFI - Standard Flatproofing Weight Chart

(Listed by increasing Rim Diameter then by increasing Tire Width)

Tire	Rim		Weight of Fill		Class	Status	Use
	Diameter	Width	Lbs	Kgs			
L 78 - 16 LT	16	6.5	117	53	T&B	CB	HS
L R 78 - 16 LT	16	6.5	122	55	T&B	CB	HS
9.5 - 16	16	8	158	72	AGR		FS-TrD
9.50 - 16	16	7	144	65	AIR		III
P 245/ 50 - 16	16	7	77	35	PAS		HS
P 245/ 50 R16	16	7	80	36	PAS		HS
P 245/ 70 - 16	16	7	116	53	PAS		HS
P 245/ 70 R16	16	7	121	55	PAS		HS
LT 245/ 75 - 16	16	7	122	55	T&B		HS
LT 245/ 75 R16	16	7	128	58	T&B		HS
10.00 - 16 SL	16	8	204	93	AGR		FS-TrS
P 255/ 45 R16	16	8.5	77	35	PAS		HS
P 255/ 50 - 16	16	7	82	37	PAS		HS
P 255/ 50 R16	16	7	86	39	PAS		HS
LT 255/ 85 - 16	16	7	155	70	T&B		HS
LT 255/ 85 R16	16	7	163	74	T&B		HS
P 265/ 50 - 16	16	7.5	91	41	PAS		HS
P 265/ 50 R16	16	7.5	95	43	PAS		HS
P 275/ 50 - 16	16	7.5	97	44	PAS		HS
P 275/ 50 R16	16	7.5	102	46	PAS		HS
11 L - 16 SL	16	8	176	80	AGR		FS-TrS-LSH
36 x 11	16	9	195	89	AIR		VI
11.00 - 16 SL	16	10	283	129	AGR		FS-TrS
11.00 - 16 DT	16	6.5	213	97	OTR		Ch-MS-DT
11.00 R16 DT	16	6.5	223	102	OTR		Ch-MS-DT
P 285/ 70 - 16	16	8	163	74	PAS		HS
P 285/ 70 R16	16	8	171	78	PAS		HS
LT 285/ 75 - 16	16	8	171	78	T&B		HS
LT 285/ 75 R16	16	8	179	81	T&B		HS
12.4 - 16	16	10	267	121	AGR		FS-TrD
P 315/ 40 R16	16	11	108	49	PAS		HS
12.5 L - 16 SL	16	10	209	95	AGR		Imp-LSH
12.50 - 16	16	10	270	123	AIR		III
39 x 13	16	10	272	124	AIR		VI
37 x 13.0 - 16	16	10	251	114	AIR		
13.6 - 16	16	10	302	137	AGR		FS-TrD
40 x 14	16	11	322	146	AIR		VI
42 x 15	16	11.5	408	185	AIR		VI
15.00 - 16	16	11.25	408	185	AIR		III
40 x 15.5 - 16	16	10	368	167	AIR		
40.5 x 15.5 - 16	16	11.5	368	167	AIR		
16.00 - 16 DT	16	6.5	414	188	OTR		Ch-MS-DT
16.00 R16 DT	16	6.5	435	198	OTR		Ch-MS-DT
17.00 - 16	16	13.25	534	243	AIR		III
13.50 - 16.1 SL	16.1	11	397	180	AGR		Imp

TyrFI - Standard Flatproofing Weight Chart

(Listed by increasing Rim Diameter then by increasing Tire Width)

Tire				Rim		Weight of Fill		Class	Status	Use
				Diameter	Width	Lbs	Kgs			
14	L	- 16.1	SL	16.1	11	329	150	AGR		FS-TrS-LSH
14.5	/ 75	- 16.1	SL	16.1	11	308	140	AGR		FS-TrS
16.5	L	- 16.1	SL	16.1	14	518	235	AGR		FS-TrS-LSH
18.4		- 16.1		16.1	16	602	274	AGR		FS-TrD
19	L	- 16.1	SL	16.1	16	630	286	AGR		Imp-LSH
38	x 20.00	- 16.1	NHS	16.1	16	459	209	AGR		HF
	21.5 L	- 16.1	SL	16.1	18	800	364	AGR		Imp-LSH
20	x 1.75			16.31	.98	4.0	1.8	CYC		BC
20	x 1.75 / 47	-	406	16.31	.98	4.0	1.8	CYC		BC
20	x 2.125			16.31	1.06	6.1	2.8	CYC		BC
20	x 1 3/4			16.48	.94	4.6	2.1	CYC		BC
	8.00	- 16.5	LT	16.5	6	80	36	T&B	OB	HS
	8.00	R16.5	LT	16.5	6	84	38	T&B	OB	HS
	8.75	- 16.5	LT	16.5	6.75	102	46	T&B	OB	HS
	8.75	R16.5	LT	16.5	6.75	102	46	T&B	OB	HS
	9.50	- 16.5	LT	16.5	6.75	117	53	T&B	OB	HS
	9.50	R16.5	LT	16.5	6.75	122	55	T&B	OB	HS
30	x 9.50	- 16.5	LT	16.5	7.5	119	54	T&B	OB	HS-HF
30	x 9.50	R16.5	LT	16.5	7.5	119	54	T&B	OB	HS-HF
	10	- 16.5	NHS	16.5	8.25	125	57	IND	OB	SS/M&L
	10	- 16.5	LT	16.5	8.25	130	59	T&B	OB	HS
	10	R16.5	LT	16.5	8.25	130	59	T&B	OB	HS
31	x 10.50	- 16.5	LT	16.5	8.25	145	66	T&B	OB	HS-HF
31	x 10.50	R16.5	LT	16.5	8.25	145	66	T&B	OB	HS-HF
31	x 11.50	- 16.5	LT	16.5	8.25	136	62	T&B	OB	HS-HF
31	x 11.50	R16.5	LT	16.5	8.25	143	65	T&B	OB	HS-HF
	12	- 16.5	NHS	16.5	9.75	198	90	IND	OB	SS/M&L
	12	- 16.5	LT	16.5	9.75	198	90	T&B	OB	HS
	12	R16.5	LT	16.5	9.75	198	90	T&B	OB	HS
33	x 12.50	- 16.5	LT	16.5	9.75	212	96	T&B	OB	HS-HF
33	x 12.50	R16.5	LT	16.5	9.75	212	96	T&B	OB	HS-HF
36	x 12.50	- 16.5	LT	16.5	9.75	312	142	T&B	OB	SV
36	x 12.50	R16.5	LT	16.5	9.75	323	147	T&B	OB	SV
37	x 12.50	- 16.5	LT	16.5	8.25	305	139	T&B	OB	SV
37	x 12.50	R16.5	LT	16.5	8.25	316	144	T&B	OB	SV
36	x 14.50	- 16.5	LT	16.5	11.25	269	122	T&B	OB	HS-HF
36	x 14.50	R16.5	LT	16.5	11.25	281	128	T&B	OB	HS-HF
37	x 14.50	- 16.5	LT	16.5	11.25	287	130	T&B	OB	HS-HF
37	x 14.50	R16.5	LT	16.5	11.25	301	137	T&B	OB	HS-HF

TyrFI - Standard Flatproofing Weight Chart

(Listed by increasing Rim Diameter then by increasing Tire Width)

	Tire			Rim		Weight of Fill		Class	Status	Use	
				Diameter	Width	Lbs	Kgs				
M	60/	90	- 17	17	1.6	8	4	CYC		MC	
M	60/	100	- 17	17	1.6	9	4	CYC		MC	
M	70/	90	- 17	17	1.6	11	5	CYC		MC	
M	70/	100	- 17	17	1.6	12	5	CYC		MC	
M	80/	80	- 17	17	1.85	12	5	CYC		MC	
M	80/	90	- 17	17	1.85	14	6	CYC		MC	
M	80/	100	- 17	17	1.85	16	7	CYC		MC	
M	90/	80	- 17	17	2.15	16	7	CYC		MC	
M	90/	90	- 17	17	2.15	18	8	CYC		MC	
M	90/	100	- 17	17	2.15	20	9	CYC		MC	
M	100/	80	- 17	17	2.5	20	9	CYC		MC	
M	100/	90	- 17	17	2.5	23	10	CYC		MC	
M	100/	100	- 17	17	2.5	26	12	CYC		MC	
M	110/	80	- 17	17	2.5	24	11	CYC		MC	
M	120/	80	- 17	17	2.75	29	13	CYC		MC	
M	120/	90	- 17	17	2.75	33	15	CYC		MC	
M	120/	100	- 17	17	2.75	37	17	CYC		MC	
M	S	90	- 17	17	2.5	36	16	CYC		MC	
M	T	90	- 17	17	3	41	19	CYC		MC	
M	130/	80	- 17	17	3	34	15	CYC		MC	
M	130/	90	- 17	17	3	39	18	CYC		MC	
M	130/	100	- 17	17	3	44	20	CYC		MC	
M	140/	80	- 17	17	3.5	41	19	CYC		MC	
	6.00		- 17	17	4.75	90	41	T&B		HS	
	6.00		R17	17	4.75	92	42	T&B		HS	
T	155/	70	- 17	17	4	43	20	PAS		HS-Sp	
T	155/	70	R17	17	4	45	20	PAS		HS-Sp	
	7.00		- 17	17	5.5	108	49	T&B		HS	
	7.00		R17	17	5.5	113	51	T&B		HS	
	7.50		- 17	17	6	132	60	T&B		HS	
	7.50		R17	17	6	135	61	T&B		HS	
	8.25		- 17	17	6.5	176	80	T&B		HS	
	8.25		R17	17	6.5	176	80	T&B		HS	
P	225/	50	R17	17	7.5	54	25	PAS		HS	
P	245/	40	R17	17	8	65	30	PAS		HS	
P	245/	45	R17	17	8	74	34	PAS		HS	
P	255/	45	R17	17	8.5	81	37	PAS		HS	
P	275/	40	R17	17	9	83	38	PAS		HS	
P	285/	35	R17	17	10	80	36	PAS		HS	
P	285/	40	R17	17	9.5	90	41	PAS		HS	
P	315/	35	R17	17	11	98	45	PAS		HS	
P	335/	35	R17	17	11	108	49	PAS		HS	
C	40 x	18.0	- 17	17	9	413	188	AIR		LBSR	
	7		- 17.5	LT	17.5	5.25	84	38	T&B	OB	HS
	7		R17.5	LT	17.5	5.25	87	40	T&B	OB	HS

TyrFI - Standard Flatproofing Weight Chart

(Listed by increasing Rim Diameter then by increasing Tire Width)

Tire				Rim		Weight of Fill		Class	Status	Use
				Diameter	Width	Lbs	Kgs			
8	- 17.5	LT		17.5	5.25	98	45	T&B	CB	HS
8	R17.5	LT		17.5	5.25	102	46	T&B	CB	HS
8	R17.5	HC		17.5	6	113	51	T&B		HS-LPT
215/ 75	R17.5	HC		17.5	6	101	46	T&B		HS-LBT
9	R17.5	HC		17.5	6.75	145	66	T&B		HS-LPT
10	- 17.5	LT		17.5	8.25	133	60	T&B	CB	HS
10	R17.5	LT		17.5	8.25	139	63	T&B	CB	HS
10	R17.5	HC		17.5	7.5	182	83	T&B		HS-LPT
275/ 65	R17.5	HC		17.5	8.25	153	70	T&B		HS
11	R17.5	HC		17.5	8.25	222	101	T&B		HS-LPT
14	- 17.5	NHS		17.5	10.5	254	115	IND		SS/M&L
14	- 17.5			17.5	10.5	253	115	T&B		HS
14	- 17.5	ML		17.5	10.5	263	120	T&B		M&L-IHS
14	R17.5			17.5	10.5	265	120	T&B		HS
36 x 16	- 17.5	NHS		17.5	10.5	305	139	AGR		HF
CT	205/ 45	R	450	17.72	5.315	52	24	PAS		HS-FF
20 x	1 1/4			17.75	.78	2.3	1.0	CYC		BC
20 x	1.25			17.75	.78	2.4	1.1	CYC		BC
20 x	1 3/8			17.75	.78	3.0	1.4	CYC		BC
20 x	1.375			17.75	.78	2.9	1.3	CYC		BC
M	70/ 90	- 18		18	1.6	11	5	CYC		MC
M	70/ 100	- 18		18	1.6	12	5	CYC		MC
M	80/ 80	- 18		18	1.85	13	6	CYC		MC
M	80/ 90	- 18		18	1.85	15	7	CYC		MC
M	80/ 100	- 18		18	1.85	16	7	CYC		MC
M	J 90	- 18		18	2.15	19	9	CYC		MC
M	90/ 80	- 18		18	2.15	17	8	CYC		MC
M	90/ 90	- 18		18	2.15	19	9	CYC		MC
M	90/ 100	- 18		18	2.15	21	10	CYC		MC
M	L 90	- 18		18	2.15	21	10	CYC		MC
M	M 90	- 18		18	2.15	23	10	CYC		MC
M	100/ 80	- 18		18	2.5	21	10	CYC		MC
M	100/ 90	- 18		18	2.5	24	11	CYC		MC
M	100/ 100	- 18		18	2.5	27	12	CYC		MC
	4.00	- 18	SL	18	3	32	15	AGR		Imp
M	N 90	- 18		18	2.15	28	13	CYC		MC
M	P 85	- 18		18	2.15	29	13	CYC		MC
M	P 90	- 18		18	2.15	31	14	CYC		MC
M	110/ 80	- 18		18	2.5	25	11	CYC		MC
M	110/ 90	- 18		18	2.5	28	13	CYC		MC

TyrFI - Standard Flatproofing Weight Chart

(Listed by increasing Rim Diameter then by increasing Tire Width)

Tire		Rim		Weight of Fill		Class	Status	Use
		Diameter	Width	Lbs	Kgs			
M	110/ 100 - 18	18	2.5	32	15	CYC		MC
M	R 90 - 18	18	2.15	35	16	CYC		MC
M	120/ 80 - 18	18	2.75	30	14	CYC		MC
M	120/ 90 - 18	18	2.75	34	15	CYC		MC
M	120/ 100 - 18	18	2.75	39	18	CYC		MC
M	S 85 - 18	18	2.5	36	16	CYC		MC
M	T 85 - 18	18	3	40	18	CYC		MC
M	130/ 80 - 18	18	3	36	16	CYC		MC
M	130/ 90 - 18	18	3	41	19	CYC		MC
M	130/ 100 - 18	18	3	46	21	CYC		MC
M	140/ 80 - 18	18	3.5	43	20	CYC		MC
T	155/ 80 - 18	18	4	52	24	PAS		HS-Sp
T	155/ 80 R18	18	4	54	25	PAS		HS-Sp
	7.00 - 18	18	5.5	114	52	T&B		HS
	7.00 R18	18	5.5	118	54	T&B		HS
	7.50 - 18 SL	18	5.5	122	55	AGR		FS-TrS
	7.50 - 18 NHS	18	6	135	61	IND		CSF&R
	7.50 - 18	18	6	134	61	T&B		HS
	7.50 R18	18	6	140	64	T&B		HS
40 x	12	18	10	264	120	AIR		VI
41 x	15.0 - 18	18	12.75	355	161	AIR		
	12.50/ 80 - 18	18		249	113	T&B		
44 x	16	18	13.25	430	195	AIR		VI
44.5 x	16.5 - 18	18	13.25	474	215	AIR		
	340/ 80 R18	18		306	139			
	13 - 18.5 NHS	18.5	10.75	324	147	IND DD		
M	80/ 80 - 19	19	1.85	14	6	CYC		MC
M	80/ 90 - 19	19	1.85	15	7	CYC		MC
M	80/ 100 - 19	19	1.85	17	8	CYC		MC
M	J 90 - 19	19	2.15	20	9	CYC		MC
M	90/ 80 - 19	19	2.15	17	8	CYC		MC
M	90/ 90 - 19	19	2.15	20	9	CYC		MC
M	90/ 100 - 19	19	2.15	22	10	CYC		MC
M	L 90 - 19	19	2.15	22	10	CYC		MC
M	M 90 - 19	19	2.15	24	11	CYC		MC
M	100/ 80 - 19	19	2.5	22	10	CYC		MC

TyrFI - Standard Flatproofing Weight Chart

(Listed by increasing Rim Diameter then by increasing Tire Width)

Tire				Rim		Weight of Fill		Class	Status	Use
				Diameter	Width	Lbs	Kgs			
M	100/	90	- 19	19	2.5	25	11	CYC		MC
M	100/	100	- 19	19	2.5	28	13	CYC		MC
	4.00		- 19	19	3	37	17	AGR		FS-TrS
M	110/	80	- 19	19	2.5	26	12	CYC		MC
M	110/	90	- 19	19	2.5	30	14	CYC		MC
M	110/	100	- 19	19	2.5	33	15	CYC		MC
M	120/	80	- 19	19	2.75	31	14	CYC		MC
M	120/	90	- 19	19	2.75	36	16	CYC		MC
M	120/	100	- 19	19	2.75	40	18	CYC		MC
M	130/	80	- 19	19	3	37	17	CYC		MC
H	40 x	14.0	- 19	19	9	300	136	AIR		
H	40 x	14.5	- 19	19	9.5	308	140	AIR		
H	42 x	16.0	- 19	19	9.5	388	176	AIR		
	8		- 19.5	19.5	6	117	53	T&B		HS
	8		R19.5	19.5	6	122	55	T&B		HS
	225/	70	R19.5	19.5	6.75	115	52	T&B		HS
	245/	70	R19.5	19.5	6.75	132	60	T&B		HS
	15		- 19.5	19.5	11.75	370	168	IND		SS/M&L
	15		- 19.5	19.5	11.75	370	168	T&B		HS
	15		- 19.5	19.5	11.75	355	161	T&B		M&L-IHS
	15		R19.5	19.5	11.75	359	163	T&B		HS
	16.5		- 19.5	19.5	13	425	193	T&B		HS
	16.5		- 19.5	19.5	13	436	198	T&B	NR	M&L-IHS
	16.5		R19.5	19.5	13	440	200	T&B		HS
	18		- 19.5	19.5	14	482	219	T&B		HS
	18		- 19.5	19.5	14	500	227	T&B		M&L-IHS
	18		R19.5	19.5	14	505	230	T&B		HS
40 x	19		- 19.5	19.5	15	442	201	AGR		HF
	19.5		- 19.5	19.5	15	591	269	T&B		HS
	19.5		- 19.5	19.5	15	601	273	T&B	NR	M&L-IHS
	19.5		R19.5	19.5	15	619	281	T&B		HS
	22		- 19.5	19.5	16.25	639	290	T&B		M&L-IHS
	7.00		- 20	20	5.5	127	58	T&B	NR	M&L-IHS
	7.50		- 20	20	5.5	133	60	AGR		FS-TrS
	7.50		- 20	20	6	144	65	T&B		HS
	7.50		- 20	20	6	151	69	T&B	NR	M&L-IHS
	7.50		R20	20	6	151	69	T&B		HS

TyrFI - Standard Flatproofing Weight Chart

(Listed by increasing Rim Diameter then by increasing Tire Width)

Tire			Rim		Weight of Fill		Class	Status	Use
			Diameter	Width	Lbs	Kgs			
8.25	- 20	NHS	20	6.5	190	86	OTR		Cr-05
8.25	- 20		20	6.5	177	80	T&B		HS
8.25	- 20	ML	20	6.5	186	85	T&B		M&L-IHS
8.25	R20		20	6.5	186	85	T&B		HS
9.00	- 20	NHS	20	7	236	107	OTR		CV-05
9.00	- 20		20	7	219	100	T&B		HS
9.00	- 20	ML	20	7	230	105	T&B		M&L-IHS
9.00	R20		20	7	230	105	T&B		HS
9.50	- 20	SL	20	7	208	95	AGR		FS-TrS
10.00	- 20	NHS	20	7.5	275	125	OTR		Cr-05
10.00	- 20	TG	20	8	284	129	OTR		Cr-25-T&G
10.00	- 20		20	7.5	262	119	T&B		HS
10.00	- 20	ML	20	7.5	269	122	T&B		M&L-IHS
10.00	R20		20	7.5	270	123	T&B		HS
11.00	- 20	NHS	20	8	313	142	OTR		Cr-05
11.00	- 20		20	8	292	133	T&B		HS
11.00	- 20	ML	20	8	306	139	T&B		M&L-IHS
11.00	R20		20	8	306	139	T&B		HS
11.1	- 20		20	7.5	257	117	T&B	CB	HS-HL
11.50	- 20		20	8	294	134	T&B		HS
11.50	R20		20	8	309	140	T&B		HS
11.9	- 20		20	8	292	133	T&B	CB	HS-HL
12.00	- 20	NHS	20	8.5	368	167	OTR		CV-05
12.00	R20	NHS	20	8.5	386	176	OTR		CrF05
12.00	- 20		20	8.5	386	176	T&B		HS
12.00	- 20	ML	20	8.5	360	164	T&B		M&L-IHS
12.00	R20		20	8.5	361	164	T&B		HS
13.00	- 20	TG	20	8	420	191	OTR		Cr-25-T&G
13.00	- 20		20	9	416	189	T&B		HS-FS
13.00	- 20	ML	20	9	436	198	T&B	NR	M&L-IHS
13.00	R20		20	9	436	198	T&B		HS-FS
14.00	- 20	TG	20	8	524	238	OTR		Cr-25-T&G
14.00	- 20	NHS	20	10	565	257	OTR		Cr-30-HgS
14.00	- 20	DT	20	10	510	232	OTR		Cr-MS-DT
14.00	R20	DT	20	10	536	243	OTR		Cr-MS-DT
14.00	R20	NHS	20	10	593	270	OTR		CrF05
14.00	- 20		20	10	520	236	T&B		HS-FS
14.00	- 20	ML	20	10	545	248	T&B		M&L-IHS
14.00	R20		20	10	546	248	T&B		HS-FS
14.00	R20	ML	20	10	573	260	T&B		M&L-IHS
38 x	14.00	- 20	20	11	309	140	AGR		Cr-HF
	15.50	- 20	20	13.25	459	209	AIR		III
46 x	16		20	13.25	459	209	AIR		VI
	16.00	- 20	20	10	754	343	OTR		Cr-MS-DT
	16.00	R20	20	10	792	360	OTR		Cr-MS-DT

TyrFI - Standard Flatproofing Weight Chart

(Listed by increasing Rim Diameter then by increasing Tire Width)

	Tire			Rim		Weight of Fill		Class	Status	Use
				Diameter	Width	Lbs	Kgs			
H	44.5 x	16.00	R20	20	10	703	320	T&B		HS-FS
		16.5	- 20	20	10.5	451	205	AIR		
		425 / 95	R20	20	10	720	327	OTR		HS-VTV
		49 x 17		20	13.25	591	269	AIR		VI
H	45 x	17.0	- 20	20	11	478	217	AIR		
H		17.00	- 20	20	13.25	591	269	AIR		III
	44 x	18	- 20	20	15	472	215	IND		CSF&R
	46 x	18.0	- 20	20	11	533	242	AIR		
	38 x	18.00	- 20	20	14	392	178	AGR		Qtr-HF
	44 x	18.00	- 20	20	14	557	253	AGR		Qtr-HF
	49 x	19.0	- 20	20	13.25	658	299	AIR		
	50 x	20.0	- 20	20	16.25	730	332	AIR		
	56 x	20.0	- 20	20	15.5	1,011	460	AIR		
	52 x	20.5	- 20	20	16.25	819	372	AIR		
	50 x	21.0	- 20	20	13.25	805	366	AIR		
	42 x	25.00	- 20	20	20.5	627	285	AGR		Qtr-HF
	48 x	25.00	- 20	20	20.5	910	414	AGR		Qtr-HF
	48 x	31.00	- 20	20	26	1,217	553	AGR		Qtr-HF
	44 x	41.00	- 20	20	36	1,152	524	AGR		Qtr-HF
	24 x	2.125		20.30	1.06	7.6	3.5	CYC		BC
	24 x	2.125 / 57	-	20.30	1.06	7.6	3.5	CYC		BC
	24 x	1.75		20.31	.98	6	2.7	CYC		BC
	24 x	2.125		20.31	.98	7.5	3.4	CYC		BC
	24 x	1 3/4		20.48	.94	6.6	3.0	CYC		BC
		10	- 20.5	20.5		90	41	T&B		
		12	- 20.5	20.5		140	64	T&B		
M		80 / 90	- 21	21	1.85	17	8	CYC		MC
M		80 / 100	- 21	21	1.85	19	9	CYC		MC
M	H	90	- 21	21	1.85	18	8	CYC		MC
M		100 / 90	- 21	21	2.5	27	12	CYC		MC
M		100 / 100	- 21	21	2.5	30	14	CYC		MC
C		12.00	- 21	21	8.5	423	192	OTR		Qr-30-HgS
		12.00	R21	21	8.5	423	192	OTR		QrF05
		12.00	- 21	21	8.5	423	192	T&B		M&L-IHS
	40 x	14.0	- 21	21	6.75	285	130	AIR		
		14.00	- 21	21	10	575	261	OTR		Qr-30-HgS

TyrFI - Standard Flatproofing Weight Chart

(Listed by increasing Rim Diameter then by increasing Tire Width)

Tire			Rim		Weight of Fill		Class	Status	Use
			Diameter	Width	Lbs	Kgs			
14.00	R21	NHS	21	10	578	263	OTR		ChF05
14.00	- 21	ML	21	10	575	261	T&B		M&L-IHS
14.00	R21		21	10	575	261	T&B		HS-FS
14.00	R21	ML	21	10	575	261	T&B		M&L-IHS
14.5	- 21		21	10	530	241	T&B		SM
16.00	- 21	NHS	21	11.25	797	362	OTR		Ch-30-HgS
16.00	R21	NHS	21	11.25	837	380	OTR		ChF05
16.00	R21		21	10	694	315	T&B		HS-FS
18	- 21	ML	21	14	544	247	T&B	NR	M&L-IHS
23	- 21	ML	21	17	1,050	477	T&B	NR	M&L-IHS
24	- 21	DT	21	18	1,095	498	OTR		WB-MS-DT
24	R21	DT	21	18	1,149	522	OTR		WB-MS-DT
27.25	- 21	DT	21	19.5	1,526	694	OTR		WB-MS-DT
27.25	R21	DT	21	19.5	1,601	728	OTR		WB-MS-DT
24 x 1 3/8			21.24	.78	3.7	1.7	CYC		BC
24 x 1 1/4			21.52	.78	3.4	1.5	CYC		BC
24 x 1.25			21.75	.78	2.9	1.3	CYC		BC
24 x 1.375			21.75	.78	3.5	1.6	CYC		BC
10.00	- 22		22	7.5	274	125	T&B		HS
10.00	- 22	ML	22	7.5	286	130	T&B		M&L-IHS
10.00	R22		22	7.5	287	130	T&B		HS
11.00	- 22		22	8	311	141	T&B		HS
11.00	- 22	ML	22	8	325	148	T&B		M&L-IHS
11.00	R22		22	8	326	148	T&B		HS
H 49 x 19.0	- 22		22	12	630	286	AIR		
26 x 1.75			22.31	.98	5.5	2.5	CYC		BC
26 x 2.10			22.31	1.06	6.6	3	CYC		BC
26 x 2.125			22.31	1.06	8.3	3.8	CYC		BC
26 x 1 3/4			22.48	.94	6.1	2.8	CYC		BC
8.	- 22.5		22.5	6	130	59	T&B		HS
8	R22.5		22.5	6	136	62	T&B		HS
9	- 22.5		22.5	6.75	166	75	T&B		HS
9	- 22.5	ML	22.5	6.75	175	80	T&B		M&L-IHS
9	R22.5		22.5	6.75	174	79	T&B		HS
245/ 75	- 22.5		22.5	7.5	162	74	T&B		HS
245/ 75	R22.5		22.5	7.5	170	77	T&B		HS
250/ 70	R22.5		22.5	7.5	169	77	T&B		HS
10	- 22.5		22.5	7.5	208	95	T&B		HS

TyrFI - Standard Flatproofing Weight Chart

(Listed by increasing Rim Diameter then by increasing Tire Width)

Tire			Rim		Weight of Fill		Class	Status	Use
			Diameter	Width	Lbs	Kgs			
10	- 22.5	ML	22.5	7.5	219	100	T&B		M&L-IHS
10	R22.5		22.5	7.5	218	99	T&B		HS
265/ 75	- 22.5		22.5	7.5	187	85	T&B		HS
265/ 75	R22.5		22.5	7.5	196	89	T&B		HS
11	- 22.5		22.5	8.25	257	117	T&B		HS
11	- 22.5	ML	22.5	8.25	265	120	T&B		M&L-IHS
11	R22.5		22.5	8.25	265	120	T&B		HS
295/ 75	- 22.5		22.5	9	243	110	T&B		HS
295/ 75	R22.5		22.5	9	255	116	T&B		HS
12	- 22.5		22.5	9	293	133	T&B		HS
12	- 22.5	ML	22.5	9	307	140	T&B		M&L-IHS
12	R22.5		22.5	9	307	140	T&B		HS
305/ 75	R22.5		22.5	9	272	124	T&B		HS
315/ 80	R22.5		22.5	9	312	142	T&B		HS
12.5	- 22.5		22.5	9	295	134	T&B		HS
12.5	R22.5		22.5	9	309	140	T&B		HS
12.75	- 22.5		22.5	9	304	138	T&B		HS
12.75	R22.5		22.5	9	318	145	T&B		HS
13	- 22.5		22.5	9	342	155	T&B		HS
15	- 22.5		22.5	11.75	390	177	T&B		HS
15	- 22.5	ML	22.5	11.75	392	178	T&B		M&L-IHS
15	R22.5		22.5	11.75	397	180	T&B		HS
385/ 65	R22.5		22.5	11.75	388	176	T&B		HS-WBR
16.5	- 22.5		22.5	13	485	220	T&B		HS
16.5	- 22.5	ML	22.5	13	485	220	T&B		M&L-IHS
16.5	R22.5		22.5	13	485	220	T&B		HS
425/ 65	R22.5		22.5	12.25	474	215	T&B		HS-WBR
445/ 65	R22.5		22.5	13	595	270	T&B		HS-WBR
18	- 22.5		22.5	14	530	241	T&B		HS
18.	- 22.5	ML	22.5	14	549	250	T&B		M&L-IHS
18	R22.5		22.5	14	555	252	T&B		HS
52 x 20.5	- 23		23	13	791	360	AIR		
26 x 1 3/8			23.24	.78	4.0	1.8	CYC		BC
23	- 23.5	ML	23.5	17	921	419	T&B	NR	M&L-IHS
26 x 1 1/4			23.51	.78	3.6	1.6	CYC		BC
26 x 1.25			23.75	.78	3.1	1.4	CYC		BC
26 x 1.375			23.75	.78	3.8	1.7	CYC		BC

TyrFI - Standard Flatproofing Weight Chart

(Listed by increasing Rim Diameter then by increasing Tire Width)

Tire	Rim		Weight of Fill		Class	Status	Use
	Diameter	Width	Lbs	Kgs			
7.50 - 24 SL	24	7	170	77	AGR		Imp
8.3 - 24	24	7	161	73	AGR		FS-TrD
9.00 - 24 SL	24	8	275	125	AGR		Imp
9.5 - 24	24	8	212	96	AGR		FS-TrD
10.00 - 24 TG	24	8	305	139	OTR		Ch-25-T&G
10.00 R24 TG	24	8	320	145	OTR		ChF25-T&G
10.00 - 24 ML	24	7.5	329	150	T&B		M&L-IHS
11.00 - 24 SL	24	10	370	168	AGR		FS-TrS
11.00 - 24	24	8	329	150	T&B		HS
11.00 - 24 ML	24	8	344	156	T&B		M&L-IHS
11.00 R24	24	8	346	157	T&B		HS
11.2 - 24	24	10	288	131	AGR		FS-TrD
11.25 - 24 SL	24	10	414	188	AGR		Imp
12.00 - 24 NHS	24	8.5	413	188	OTR		CLT05
12.00 - 24 TG	24	8	398	181	OTR		TG-05
12.00 R24 NHS	24	8.5	433	197	OTR		ChF05
12.00 R24 TG	24	8	418	190	OTR		ChF25-T&G
12.00 - 24	24	8.5	386	175	T&B		HS
12.00 - 24 ML	24	8.5	404	184	T&B		M&L-IHS
12.00 R24	24	8.5	406	185	T&B		HS
12.4 - 24	24	11	368	167	AGR		FS-TrD
320 / 70 R24	24	10	299	136	AGR		FS-TrD
13.00 - 24 NHS	24	10	513	233	OTR		Ch-30-HgS
13.00 - 24 TG	24	8	500	227	OTR		TG-05
13.00 R24 NHS	24	10	539	245	OTR		ChF05
13.00 R24 TG	24	8	494	225	OTR		ChF25-T&G
13.00 - 24 ML	24	9	487	221	T&B		M&L-IHS
13.00 R24 ML	24	9	512	233	T&B		M&L-IHS
13.6 - 24	24	12	447	203	AGR		FS-TrD
14.00 - 24 NHS	24	10	622	283	OTR		Ch-30-HgS
14.00 - 24 TG	24	8	600	273	OTR		TG-05
14.00 R24 NHS	24	10	654	297	OTR		ChF05
14.00 R24 TG	24	8	615	280	OTR		ChF25-T&G
14.00 - 24	24	10	614	279	T&B		HS-FS
14.00 - 24 ML	24	10	614	279	T&B		M&L-IHS
14.00 R24	24	10	610	277	T&B		HS-FS
14.00 R24 ML	24	10	638	290	T&B		M&L-IHS
360 / 70 R24	24	11	390	177	AGR		FS-TrD
14.9 - 24	24	13	546	248	AGR		FS-TrD
380 / 70 R24	24	12	442	201	AGR		FS-TrD

TyrFI - Standard Flatproofing Weight Chart

(Listed by increasing Rim Diameter then by increasing Tire Width)

Tire				Rim		Weight of Fill		Class	Status	Use
				Diameter	Width	Lbs	Kgs			
385 / 95 R24 16.00 - 24 DT 16.00 - 24 TG 16.00 R24 DT 16.00 R24 TG	24	10	663	301	OTR		HS-VTV			
	24	10	898	408	OTR		Ch-MS-DT			
	24	10	840	382	OTR		TG-05			
	24	10	943	429	OTR		Ch-MS-DT			
	24	10	882	401	OTR		ChF25-T&G			
420 / 70 R24 16.9 - 24 16.9 R24 17.5 L - 24 18.00 - 24 DT	24	13	548	249	AGR		FS-TrD			
	24	15	701	319	AGR		FS-TrD			
	24	15	734	334	AGR		FS/TS-TrD			
	24	15	637	290	AGR		FS-TrD-LSH			
	24	10	1,075	489	OTR		Ch-MS-DT			
18.00 R24 DT 18.4 - 24 19.5 L - 24 21 L - 24 H 54 x 21.0 - 24	24	10	1,098	499	OTR		Ch-MS-DT			
	24	16	856	389	AGR		FS-TrD			
	24	16	869	395	AGR		FS-TrD-LSH			
	24	18	1,000	455	AGR		FS-TrD-LSH			
	24	13	849	386	AIR					
70C x 28 C 245 / 75 - 24.5 245 / 75 R24.5 11 - 24.5 11 - 24.5 ML	24.49	.71	2.6	1.2	CYC		BC			
	24.5	7.75	207	94	T&B		HS			
	24.5	7.75	216	98	T&B		HS			
	24.5	8.25	269	122	T&B		HS			
	24.5	8.25	282	128	T&B		M&L-IHS			
11 R24.5 285 / 75 - 24.5 285 / 75 R24.5 12 - 24.5 12 R24.5	24.5	8.25	282	128	T&B		HS			
	24.5	8.25	236	107	T&B		HS			
	24.5	8.25	247	112	T&B		HS			
	24.5	9	347	158	T&B		HS			
	24.5	9	347	158	T&B		HS			
13.5 - 24.5 13.5 R24.5 27 x 1 27 x 1 1/8 27 x 1 1/4	24.5	10.5	398	181	T&B		HS			
	24.5	10.5	417	190	T&B		HS			
	24.79	.71	2.4	1.1	CYC		BC			
	24.79	.71	2.6	1.2	CYC		BC			
	24.79	.78	3.2	1.5	CYC		BC			
27 x 1 1/4 HP	24.79	.78	3.2	1.5	CYC		BC			
11.00 - 25 ML 12.00 - 25 NHS 12.00 R25 NHS 12.00 - 25 ML 13.00 - 25 NHS	25	8.5	343	156	T&B		M&L-IHS			
	25	8.5	405	184	OTR		Ch-30-HgS			
	25	8.5	426	193	OTR		ChF05			
	25	8.5	396	180	T&B		M&L-IHS			
	25	10	505	230	OTR		Ch-30-HgS			

TyrFI - Standard Flatproofing Weight Chart

(Listed by increasing Rim Diameter then by increasing Tire Width)

Tire			Rim		Weight of Fill		Class	Status	Use
			Diameter	Width	Lbs	Kgs			
13.00	R25	NHS	25	10	531	241	OTR	NR	ChF05
13.00	- 25	ML	25	10	494	225	T&B		M&L-IHS
14.00	- 25	NHS	25	10	613	279	OTR		Ch-30-HgS
14.00	R25	NHS	25	10	643	292	OTR		ChF05
14.00	- 25	ML	25	10	599	272	T&B		M&L-IHS
14.00	R25	ML	25	10	628	285	T&B		M&L-IHS
385 / 95	R25		25	10	652	297	OTR		HS-VTV
15.5	- 25		25	12	577	262	OTR		WB-05
15.5	R25		25	12	603	274	OTR		WBF05
16.00	- 25		25	11.25	882	401	OTR		Ch-05
16.00	R25		25	11.25	925	421	OTR		ChF05
17.5	- 25		25	14	757	344	OTR		WB-05
17.5	R25		25	14	792	360	OTR		WBF05
445 / 80	R25		25	14	763	347	OTR		HS-VTV
445 / 95	R25		25	11.25	915	416	OTR		HS-VTV
18.00	- 25		25	13	1,232	560	OTR		Ch-05
18.00	- 25	DT	25	10	1,034	470	OTR		Ch-MS-DT
18.00	R25	DT	25	10	1,086	494	OTR		Ch-MS-DT
18.00	R25		25	13	1,293	588	OTR		ChF05
61 x 18.00	- 25		25	13	1,113	506	OTR		ATT05
505 / 95	R25		25	13	1,247	567	OTR		HS-VTV
20 / 65	- 25		25	16	764	347	OTR		65-05
20.5	- 25		25	17	1,070	486	OTR		WB-05
20.5	R25		25	17	1,123	510	OTR		WBF05
525 / 80	R25		25	17	1,111	505	OTR		HS-VTV
21.00	- 25		25	15	1,698	772	OTR		Ch-05
21.00	- 25	DT	25	15	1,560	709	OTR		Ch-MS-DT
21.00	R25	DT	25	15	1,637	744	OTR		Ch-MS-DT
21.00	R25		25	15	1,782	810	OTR		ChF05
22 / 65	R25		25	14	967	440	OTR		65FMS-HM
575 / 95	R25		25	15	1,713	778	OTR		HS-VTV
23.5	- 25		25	19.5	1,486	675	OTR		WB-05
23.5	R25		25	19.5	1,559	709	OTR		WBF05
605 / 80	R25		25	19.5	1,559	709	OTR		HS-VTV
24.00	- 25		25	17	2,264	1,029	OTR		Ch-05
24.00	R25		25	17	2,376	1,080	OTR		ChF05
25 / 65	- 25		25	20	1,293	588	OTR		65-05
25 / 65	R25		25	20	1,355	616	OTR		65F05
26.5	- 25		25	22	2,009	913	OTR		WB-05
26.5	R25		25	22	2,184	993	OTR		WBF05
685 / 80	R25		25	22	2,105	957	OTR		HS-VTV
29.5	- 25		25	25	2,609	1,186	OTR		WB-05
29.5	- 25	DT	25	25	2,480	1,127	OTR		WB-MS-DT
29.5	R25	DT	25	25	2,602	1,183	OTR		WB-MS-DT
29.5	R25		25	25	2,738	1,244	OTR		WBF05

TyrFI - Standard Flatproofing Weight Chart

(Listed by increasing Rim Diameter then by increasing Tire Width)

Tire	Rim		Weight of Fill		Class	Status	Use
	Diameter	Width	Lbs	Kgs			
30 / 65 - 25	25	24	2,003	911	OTR		65-05
30 / 65 R25	25	24	2,102	956	OTR		65R05
67 x 34.00 - 25 NHS	25	30	2,594	1,179	AGR		Qr-HF
35 / 65 - 25	25	28	2,922	1,328	OTR		65-05
66 x 43.00 - 25 NHS	25	36	3,176	1,444	AGR		Qr-HF
66 x 44.00 - 25 NHS	25	36	3,243	1,474	AGR		Qr-HF
14.9 - 26	26	12	568	258	AGR		FS-TrD
14.9 R26	26	12	594	270	AGR		FS/TS-TrD
16.00 - 26	26	15.5	1,026	466	OTR		Qr-25-T&G
16.9 - 26	26	15	739	336	AGR		FS-TrD
16.9 R26	26	15	774	352	AGR		FS/TS-TrD
18.00 - 26 TG	26	16	1,370	623	OTR		Qr-25-T&G
18.4 - 26	26	16	941	428	AGR		FS-TrD
18.4 R26	26	16	964	438	AGR		FS/TS-TrD
480 / 70 R26	26	15	781	355	AGR		FS-TrD
23.1 - 26	26	20	1,505	684	AGR		LSD
28 L - 26	26	25	1,865	848	AGR		LSD-LSH
54 x 31.00 - 26 NHS	26	26	1,414	643	AGR		Qr-HF
67 x 34.00 - 26 NHS	26	30	2,548	1,158	AGR		Qr-HF
66 x 43.00 - 26 NHS	26	36	3,050	1,386	AGR		Qr-HF
11.2 - 28	28	10	324	147	AGR		FS-TrD
11.25 - 28 SL	28	10	460	209	AGR		Imp
12.4 - 28	28	11	412	187	AGR		FS-TrD
320 / 70 R28	28	10	336	153	AGR		FS-TrD
13.6 - 28	28	12	499	227	AGR		FS-TrD
13.6 R28	28	12	522	237	AGR		FS/TS-TrD
360 / 70 R28	28	11	437	199	AGR		FS-TrD
14.9 - 28	28	13	607	276	AGR		FS-TrD
14.9 R28	28	13	636	289	AGR		FS/TS-TrD
380 / 70 R28	28	12	494	225	AGR		FS-TrD
420 / 70 R28	28	13	610	277	AGR		FS-TrD
16.9 - 28	28	15	776	353	AGR		FS-TrD
16.9 R28	28	15	813	370	AGR		FS/TS-TrD
18.4 - 28	28	16	951	432	AGR		FS-TrD
480 / 70 R28	28	15	822	374	AGR		FS-TrD

TyrFI - Standard Flatproofing Weight Chart

(Listed by increasing Rim Diameter then by increasing Tire Width)

Tire	Rim		Weight of Fill		Class	Status	Use
	Diameter	Width	Lbs	Kgs			
19.6 - 28	28	19	1,026	466	AGR		FS-TrD
20 / 65 - 29	29	16	844	384	OTR		65-05
24.00 - 29	29	17	2,449	1,113	OTR		Cr-05
24.00 - 29	29	17	2,303	1,047	OTR		Cr-30-HgS
24.00 R29	29	17	2,571	1,168	OTR		CrF05
25 / 65 - 29	29	20	1,417	644	OTR		65-05
26.5 - 29	29	22	2,182	992	OTR		WB-05
26.5 R29	29	22	2,290	1,041	OTR		WBF05
29.5 - 29	29	25	2,823	1,283	OTR		WB-05
29.5 R29	29	25	2,962	1,347	OTR		WBF05
30 / 65 - 29	29	24	2,183	992	OTR		65-05
30 / 65 R29	29	24	2,291	1,041	OTR		65F05
33.25 - 29	29	27	3,617	1,644	OTR		WB-30-HgS
33.25 R29	29	27	3,796	1,725	OTR		WBF30-HgS
35 / 65 - 29	29	28	3,166	1,439	OTR		65-05
14.9 - 30	30	13	637	290	AGR		FS-TrD
14.9 R30	30	13	667	303	AGR		FS/TS-TrD
420 / 70 R30	30	13	642	292	AGR		FS-TrD
16.9 - 30	30	15	855	389	AGR		FS-TrD
16.9 R30	30	15	874	397	AGR		FS/TS-TrD
18.4 - 30	30	16	1,025	466	AGR		LSD
480 / 70 R30	30	15	863	392	AGR		FS-TrD
520 / 70 R30	30	16	1,026	466	AGR		FS-TrD
23.1 - 30	30	20	1,635	743	AGR		FS-TrD
67 x 34.00 - 30 NHS	30	30	2,409	1,095	AGR		Cr-HF
24.5 - 32	32	21	2,001	910	AGR		FS-TrD
24.5 R32	32	21	2,040	927	AGR		FS/TS-TrD
30.5 L - 32 VA	32	27	2,266	1,030	AGR		FS-TrD-LSH
30.5 L - 32	32	27	2,568	1,167	AGR		FS-TrD-LSH
30.5 L R32	32	27	2,593	1,179	AGR		FS/TS-TrD-LSH
33 L - 32 VA	32	27	2,820	1,282	AGR		TrD/LSD-LSH
35.5 L - 32	32	31	3,539	1,609	AGR		FS-TrD-LSH
35.5 L - 32 VA	32	31	3,336	1,516	AGR		LSD-LSH
38 L - 32 VA	32	31	3,941	1,791	AGR		TrD/LSD-LSH
40.5 L - 32 VA	32	35	4,647	2,112	AGR		TrD/LSD-LSH

TyrFI - Standard Flatproofing Weight Chart

(Listed by increasing Rim Diameter then by increasing Tire Width)

Tire	Rim		Weight of Fill		Class	Status	Use
	Diameter	Width	Lbs	Kgs			
73 x 44.00 - 32 NHS	32	36	3,726	1,694	AGR		Cr-HF
68 x 50.00 - 32 NHS	32	44	3,597	1,635	AGR		Cr-HF
18.00 - 33	33	13	1,455	662	OTR		Cr-05
18.00 R33	33	13	1,528	695	OTR		CrR05
21.00 - 33	33	15	1,990	905	OTR		Cr-30-HgS
27.00 - 33	33	22	3,685	1,675	OTR		Cr-05
27.00 R33	33	22	3,866	1,757	OTR		CrR30-HgS
30 / 65 - 33	33	24	2,363	1,074	OTR		65-05
30.00 - 33	33	22	4,371	1,987	OTR		CV-05
33.5 - 33	33	28	4,123	1,874	OTR		WB-05
33.5 R33	33	28	4,327	1,967	OTR		WBFR05
35 / 65 - 33	33	28	3,411	1,550	OTR		65-05
35 / 65 R33	33	28	3,578	1,626	OTR		65FR05
37.5 - 33	33	32	5,335	2,425	OTR		WB-05
37.5 R33	33	32	5,599	2,545	OTR		WBFR05
16.9 - 34	34	15	890	405	AGR		FS-TrD
18.4 - 34	34	16	1,128	513	AGR		FS-TrD
18.4 R34	34	16	1,146	521	AGR		FS/TS-TrD
480 / 70 R34	34	15	946	430	AGR		FS-TrD
520 / 70 R34	34	16	1,122	510	AGR		FS-TrD
20.8 - 34	34	18	1,418	645	AGR		FS-TrD
20.8 R34	34	18	1,440	655	AGR		FS/TS-TrD
23.1 - 34	34	20	1,785	811	AGR		FS-TrD
23.1 R34	34	20	1,818	826	AGR		FS/TS-TrD

TyrFI - Standard Flatproofing Weight Chart

(Listed by increasing Rim Diameter then by increasing Tire Width)

Tire		Rim		Weight of Fill		Class	Status	Use
		Diameter	Width	Lbs	Kgs			
21.00	- 35	35	15	2,063	938	OTR		Ch-05
21.00	R35	35	15	2,165	984	OTR		ChF05
24.00	- 35	35	17	2,727	1,239	OTR		Ch-05
24.00	R35	35	17	2,861	1,301	OTR		ChF05
29.5	- 35	35	25	3,143	1,429	OTR		WB-05
29.5	R35	35	25	3,298	1,499	OTR		WBF05
33.25	- 35	35	27	4,011	1,823	OTR		WB-05
33.25	R35	35	27	4,209	1,913	OTR		WBF05
37.25	- 35	35	31	5,208	2,367	OTR		WB-05
37.25	R35	35	31	5,467	2,485	OTR		WBF05
11.2	- 36	36	9	381	173	AGR		FS-TrD
12.4	- 36	36	11	509	231	AGR		FS-TrD
13.9	- 36	36	12	572	260	AGR		FS-TrD
31.5	- 36	36	26.5	3,033	1,379	OTR		WB-05
11.2	- 38	38	10	412	187	AGR		FS-TrD
12.4	- 38	38	11	528	240	AGR		FS-TrD
13.6	- 38	38	12	639	290	AGR		FS-TrD
14.9	- 38	38	12	750	341	AGR		FS-TrD
15.5	- 38	38	14	741	337	AGR		FS-TrD
15.5	R38	38	14	750	341	AGR		FS/TS-TrD
16.9	- 38	38	15	965	439	AGR		FS-TrD
16.9	R38	38	15	1,011	460	AGR		FS/TS-TrD
18.4	- 38	38	16	1,259	572	AGR		FS-TrD
18.4	R38	38	16	1,303	592	AGR		FS/TS-TrD
480 / 70	R38	38	15	1,026	466	AGR		FS-TrD
520 / 70	R38	38	16	1,215	552	AGR		FS-TrD
20.8	- 38	38	18	1,572	715	AGR		FS-TrD
20.8	R38	38	18	1,643	747	AGR		FS/TS-TrD
580 / 70	R38	38	18	1,555	707	AGR		FS-TrD
33	L - 38	VA	38	27	3,129	1,422	AGR	TrD/LSD-LSH
35.5	L - 38	VA	38	31	3,706	1,685	AGR	LSD-LSH
38	L - 38	VA	38	31	4,364	1,984	AGR	TrD/LSD-LSH
40.5	L - 38	VA	38	35	5,131	2,332	AGR	TrD/LSD-LSH

TyrFI - Standard Flatproofing Weight Chart

(Listed by increasing Rim Diameter then by increasing Tire Width)

Tire	Rim		Weight of Fill		Class	Status	Use
	Diameter	Width	Lbs	Kgs			
33.5 - 39	39	28	4,535	2,061	OTR	WB-30-HgS	
33.5 R39	39	28	4,758	2,163	OTR	WBF05	
37.5 - 39	39	32	5,844	2,656	OTR	WB-05	
37.5 R39	39	32	6,133	2,788	OTR	WBF05	
40 / 65 - 39	39	32	5,186	2,357	OTR	65-05	
40 / 65 R39	39	32	5,442	2,474	OTR	65F05	
40.5 / 75 R39	39	32	6,857	3,117	OTR	WBF05	
41.25 / 70 - 39	39	32	5,900	2,682	OTR	70-05	
45 / 65 - 39	39	36	6,885	3,130	OTR	65-05	
18.4 - 42	42	16	1,359	618	AGR	FS-TrD	
18.4 R42	42	16	1,419	645	AGR	FS/TS-TrD	
20.8 - 42	42	18	1,693	770	AGR	FS-TrD	
20.8 R42	42	18	1,769	804	AGR	FS/TS-TrD	
45 / 65 R45	45	36	7,858	3,572	OTR	65F05	
50 / 65 - 45	45	40	9,708	4,413	OTR	65-05	
55 / 65 - 45	45	44	12,228	5,558	OTR	65-05	
13.6 - 46	46	12	732	333	AGR	FS-TrD	
13.6 R46	46	12	765	348	AGR	FS-TrD	
14.9 R46	46	12	898	408	AGR	FS/TS-TrD	
18.4 R46	46	16	1,523	692	AGR	FS/TS-TrD	
20.8 R46	46	18	1,895	861	AGR	FS-TrD	

TyrFI - Standard Flatproofing Weight Chart

(Listed by increasing Rim Diameter then by increasing Tire Width)

Tire	Rim		Weight of Fill		Class	Status	Use
	Diameter	Width	Lbs	Kgs			
18.00 - 49	49	13	1,903	865	OTR		Ch-05
18.00 R49	49	13	1,998	908	OTR		ChR30-HgS
21.00 - 49	49	15	2,573	1,169	OTR		Ch-05
21.00 R49	49	15	2,700	1,227	OTR		ChR30-HgS
24.00 - 49	49	17	3,372	1,533	OTR		Ch-05
24.00 R49	49	17	3,540	1,609	OTR		ChR05
27.00 - 49	49	19.5	4,502	2,046	OTR		Ch-05
27.00 R49	49	19.5	4,726	2,148	OTR		ChR05
24.00 - 51	51	17	3,466	1,575	OTR		Ch-MS
27.00 - 51	51	19.5	4,620	2,100	OTR		Ch-MS
30.00 - 51	51	22	5,923	2,692	OTR		Ch-05
30.00 R51	51	22	6,216	2,825	OTR		ChR05
33.00 - 51	51	24	7,314	3,325	OTR		Ch-05
33.00 R51	51	24	7,676	3,489	OTR		ChR05
36.00 - 51	51	26	9,218	4,190	OTR		Ch-30-HgS
36.00 - 51 DT	51	26	8,593	3,906	OTR		Ch-MS-DT
36.00 R51 DT	51	26	9,019	4,099	OTR		Ch-MS-DT
36.00 R51	51	26	9,674	4,397	OTR		ChR05
37.5 - 51	51	32	7,370	3,350	OTR		WB-05
37.5 R51	51	32	7,708	3,504	OTR		WBFR05
50 / 65 - 51	51	40	10,460	4,754	OTR		65-05
50 / 65 R51	51	40	10,973	4,988	OTR		65R05
55 / 65 - 51	51	44	13,136	5,971	OTR		65-05
60 / 65 - 51	51	48	16,205	7,366	OTR		65-05
65 / 65 - 51	51	52	19,691	8,950	OTR		65-05
39 / 90 R53	53	26	9,523	4,329	OTR		ChRMS

TyrFIL - Standard Flatproofing Weight Chart

(Listed by increasing Rim Diameter then by increasing Tire Width)

Tire		Rim		Weight of Fill		Class	Status	Use	
		Diameter	Width	Lbs	Kgs				
27	- 56.5	56.5	20	3,250	1,477	OTR		On-30-HgS	
30	- 56.5	56.5	22	4,382	1,992	OTR		On-30-HgS	
37.00	R57	57	27	11,054	5,024	OTR		OnR05	
40.00	- 57	57	29	12,683	5,765	OTR		On-05	
40.00	R57	57	29	13,311	6,050	OTR		OnR05	
33	- 59.5	59.5	23.5	5,602	2,546	OTR		On-30-HgS	
36	- 59.5	59.5	27	7,064	3,211	OTR		On-30-HgS	
39	- 59.5	59.5	27	8,857	4,026	OTR		On-30-HgS	
18 x 7	/4.50F	NHS	6	4.5	35	16	IND	CB	SF&R
16 x 4.4			8	3.5	15	7	AIR		VI
18 x 5.5			8	4.25	26	12	AIR		VI
18 x 4.4			10	3.5	18	8	AIR		VI
24 x 7.7			10	5.5	64	29	AIR		VI
16 x 1.75			12.31	.98	3.1	1.4	CYC		BC
16 x 2.125			12.31	1.06	4.9	2.2	CYC		BC
16 x 1 3/4			12.48	.94	3.6	1.6	CYC		BC
26 x 6.6			14	5	55	25	AIR		VI
34 x 11			14	9	181	82	AIR		VI
18 x 1.625			14.31	.88	3.6	2.0	CYC		BC
29 x 7.7			15	6	80	36	AIR		VI
32 x 8.8			16	7	109	50	AIR		VI
36 x 11			16	9	195	89	AIR		VI
39 x 13			16	10	272	124	AIR		VI
40 x 14			16	11	322	146	AIR		VI
42 x 15			16	11.5	408	185	AIR		VI
20 x 1.75			16.31	.98	4.0	1.8	CYC		BC
20 x 2.125			16.31	1.06	6.1	2.8	CYC		BC
20 x 1 3/4			16.48	.94	4.6	2.1	CYC		BC

TyrFI - Standard Flatproofing Weight Chart

(Listed by increasing Rim Diameter then by increasing Tire Width)

Tire	Rim		Weight of Fill		Class	Status	Use
	Diameter	Width	Lbs	Kgs			
20 x 1 1/4	17.75	.78	2.3	1.0	CYC		BC
20 x 1.25	17.75	.78	2.4	1.1	CYC		BC
20 x 1 3/8	17.75	.78	3.0	1.4	CYC		BC
20 x 1.375	17.75	.78	2.9	1.3	CYC		BC
40 x 12	18	10	264	120	AIR		VI
44 x 16	18	13.25	430	195	AIR		VI
46 x 16	20	13.25	459	209	AIR		VI
49 x 17	20	13.25	591	269	AIR		VI
24 x 2.125	20.30	1.06	7.6	3.5	CYC		BC
24 x 1.75	20.31	0.98	6.0	2.7	CYC		BC
24 x 2.125	20.31	.98	7.5	3.4	CYC		BC
24 x 1 3/4	20.48	.94	6.6	3.0	CYC		BC
24 x 1 3/8	21.24	.78	3.7	1.7	CYC		BC
24 x 1 1/4	21.52	.78	3.4	1.5	CYC		BC
24 x 1.25	21.75	.78	2.9	1.3	CYC		BC
24 x 1.375	21.75	.78	3.5	1.6	CYC		BC
26 x 1.75	22.31	.98	5.5	2.5	CYC		BC
26 x 2.10	22.31	1.06	6.6	3.0	CYC		BC
26 x 2.125	22.31	1.06	8.3	3.8	CYC		BC
26 x 1 3/4	22.48	.94	6.1	2.8	CYC		BC
26 x 1 3/8	23.24	.78	4.0	1.8	CYC		BC
26 x 1 1/4	23.51	.78	3.6	1.6	CYC		BC
26 x 1.25	23.75	.78	3.1	1.4	CYC		BC
26 x 1.375	23.75	.78	3.8	1.7	CYC		BC
70C x 28	24.49	.71	2.6	1.2	CYC		BC
27 x 1	24.79	.71	2.4	1.1	CYC		BC
27 x 1 1/8	24.79	.71	2.6	1.2	CYC		BC
27 x 1 1/4	24.79	.78	3.2	1.5	CYC		BC
27 x 1 1/4	24.79	.78	3.2	1.5	CYC		BC

TyrFIL Misc. Weights

8"	lbs
4.80 x 8	25
18 x 6.50 x 8	28
18.7 x 8	25
20 x 10 x 8	40
21 x 11.0 x 8	54
21 x 11.00 x 8	73
22 x 12 x 8	80 – 93
25 x 2400 x 8	303
150 x 75 x F8	23 – 26
180 x 70 x 8	32 - 26
9"	lbs
20.8 x 7.87 x 9	48 – 55
10"	lbs
20.5 x 8 x 10	60
23 x 10.5 x 10	76
225 x 75 x R10	63
44 x 16 x 10.5	415 – 423 aircraft
11"	lbs
12.5 x 7.5 x 11	64
12"	lbs
4.50 x 12	35 (8ply smooth)
22 x 12 x 12	80
23 x 5.7 x 12	35 – 44
23 x 9 x 12	60
24 x 8.50 x 12	78
24 x 13 x 12	84 – 100
25 x 8 x 12	75
25 x 10 x 12	94
25 x 11 x 12	110
27 x 10 x 12	98
28 x 10.5 x 12	106 – 131
31 x 10.5 x 12	167
32 x 850 x 12	112
23 x 8.5 x 12.7	50 – 62
13"	lbs
6.50 x 13	60

14"	lbs
23 x 8.50 x 14	45 – 56
23 x 10.5 x 14	55 – 68
24 x 8.50 x 14	59 – 67
25 x 8.0 x 14	55 – 68
25 x 8.50 x 14	58 – 72
40 x 14	280
28 x 9 x 14.5	82 – 101
26 x 12 x 14.9	86 – 106
15"	lbs
8.15 x 15	117
11.5 x 80 x 15	160
12.5 x 60 x 15	133 – 165
13 x 25 x 15	99 – 106
14 x 65 x 15	211 – 230
17 x 40 x 15	490
26 x 12 x 15	104 – 118
28.9 x 15	55
29 x 12 x 15	180
38 x 16 x 15	313
39.5 x 15.5 x 15	370 radial
	360 bias
G78 x 15	116
212 x 80 x 15	98 – 107
250 – 15	96
315 x 75 x 15	219
10 x 75 x 15.3	130
11.5 x 80 x 15.3	123 – 148
31.5 x 13 x 15.5	190
280 x 60 x 15.5	120
400 x 60 x 15.5	234-289
16"	lbs
2.1 x 2.5 x 16	9
7.50 x 20 x 16	145 – 150
8 x 16	102 – 118
12.5 x 70 x 16	223 – 248
27 x 14 x 16	126 – 135
56 x 16	631 Aircraft
120 x 70 x 16	208
265 x 75 x 16	149 – 159

TyrFIL Misc. Weights

16" cont.	lbs
315 x 80 x 16	161 – 199
18.4 x 16.1	591 – 602
21.5 x 16.1	448
45 x 21.5 x 16.1	673 – 781
10 x 16.5	131
12 x 16.5	200
15 x 38.5 x 16.5	352
18.5 x 44 x 16.5	600
33 x 12.5 x 16.5	251
33 x 15.5 x 16.5	296
38 x 18 x 16.5	347
44 x 18.5 x 16.5	598
305 x 70 x 16.5	196
315 x 13 x 16.5	148 – 183
390 x 70 x 16.5	350
17"	lbs
15 x 55 x 17	189 – 234 (255 called in)
14 x 17.5	288
15 x 17.5	295
235 x 75 x 17.5	115-120
240 x 55 x 17.5	88 (jlg)
245 x 70 x 17.5	95 – 117
14 x 75 x 17.5	259 – 321 (ind)
18"	lbs
10.5 x 18	185
10.5 x 80 x 18	171 – 193 (220 called in)
12.0 x 18	297
12 x 12.5 x 18	240 – 279 (260 called in)
12 x 75 x 18	207
12.5 x 18	218
12.5 x 80 x 18	265 – 285
14.5 x 70 x R18	261 – 305
15 x 55 x R18	310
15 x 80 x 18	331 - 396
15.5 x 60 x 18	279 – 325 (ag) (310 called in)
15.5 x 70 x 18	435
16.5 x 60 x 18	173 – 213 (215 called in)
320 x 65 x 18	260 – 280
335 x 80 x R18	290 – 325

TyrFI Misc. Weights

18" cont.	lbs
365 x 70 x R18	332
385 x 55 x R18	220 – 272
405 x 70 x 18	325 – 402 (ind)
19"	lbs
33x 16 x 500 (19.5)	179 – 221 (ind)
	169 – 202 (otr)
39.2 x 15.5 x 19.5	276-341
385 x 65 D19.5	310 (radial)
	315 (bias)
385 x 65 x R19.5	281 – 354
445 x 55 x 19.5	308 – 381, 385 – 423
445 x 65 x R19.5	445 – 501
20"	lbs
9.5 x 20	188 (7" wheel)
10 x 10.5 x 20	206 – 248
10.5 x 20	206 (7" wheel)
10.5 x 20	208 – 270
12.5 x 20	292 – 340
12.5 x F20	320
13 x 80 x 20	372
14 x 75 x F20	263 – 314
14.8 x 20	385
14.8 x F20	397
15.5 x 80 x F20	492
16 x 20	430
16 x 20 x 20	397
16 x 70 x 20	352 – 435
16.5 x 75 x F20	538
17.5 x 65 x 20	490
260 x 80 x F20	206
335 x 80 x F20	268 – 331
355x 80 x 20	315 – 346 (413 called in)
355 x 80 x F20	373 – 423
360 x 70 x F20	250 – 299
365 x 80 x F20	390
375 x 75 F20	395
395 x 85 x F20	344 – 412
400 x 70 F20	354 – 437 (ind) 409 – 463 (ag)
400 x 75 x 20	418 – 485

20" cont.	lbs
405 x 70 x F20	401 – 454
425 x 70 x F20	391 – 457
425 x 75 x F20	556
455 x 70 x F20	450 – 538
475 x 65 x 20	299 – 370
265 x 521 x 20.5	91
10 x 20.5	90
22.5"	lbs
255 x 70 x F22.5	154 – 169
275 x 70 x F22.5	156 – 193
295 x 80 x F22.5	227 – 280
315 x 80 x F22.5	335
385 x 65 x F22.5	398
385 x 65 x D22.5	323 – 400
425 x 65 x 22.5	426-479
425 x 65 x 22.5	413 – 511
24"	lbs
14.9 x 24	539
15.5 x 80 x 24	415 – 496
19.5 x 24	869
19.5 x L24	813
21 x L24	1110
48.5 x 14 x 24	460 – 480
380 x 85 x 24	244 – 283
400 x 80 x 24	454 – 561
445 x 70 x F24	593 – 671
480 x 65 x F24	557 – 689
15 x 24.5	272
25"	lbs
53 x 21.6 x 25	743 – 919
550 x 65 x F25	965
600 x 65 x F25	919 – 1075

TyrFI Misc. Weights

26"	lbs
12.4 x 26	409 – 469
480 x 70 x 26	781
600 x 55 x 26.5	860
700 x 50 x 26.5	957 – 1183
750 x 55 x 26.5	1421- 1651
28"	lbs
21 x L28	1200
320 x 85 x F28	398 – 457
875 x 65 x F29	2428 – 2840
32"	lbs
12.4 x 32	450
13.6 x 32	550
34"	lbs
480 x 85 F34	1157 – 1311
35"	lbs
37.25 x 35	4718
38"	lbs
480 x 80 x F38	1155 – 1308 (ag) 1000 - 1236 (ind)
42"	lbs
320 x 90 x F42	582 – 659
Misc	lbs
20.5 x 25 x L5	1075
23.5 x 25 x L5	1362
455 x 50 x D170	356 – 441
10R x 17.5 x G291	181 (12 ply) 173 (14 ply)
26 x 12 D x 380	26 x 12 x 15 (lightfoot) 97 – 112
33 x 16 x LL500	157 – 194 (33/14/19.5)
33 x 16 x LL500	262
305 x 546	140 (21.5 rim)
15 x 625	205 – 245 (JLG)
18 x 625	318
355 x 55 x D625	154 – 190
445 x 50 x 710	505
330 x 851	237 – 250
330 x 851 used	387
265 x 521	55 – 68 (28.5/10.5/22rim)



800-821-4147

info@accellatire.com

Visit www.accellatire.com for specs, weight charts, and more!

©2016 Accella Tire Fill Systems